

Congratulations

We congratulate you on your new Campster and would like to thank you for choosing a quality product from PÖSSL.

With a Campster from PÖSSL you always have the right travelling companion for every trip: Whether for a city trip, a short excursion or your family holidays. The high quality standard and the large variability furthermore enthral. Many useful details prove to be extremely practical when on the road making your holiday even more relaxed.

Each PÖSSL vehicle is manufactured with great care and the quality is closely checked. This ensures that our products have a long service life.

This instruction manual deals primarily with the aspect of living in your Campster. It will give you all important information and tips so that you can enjoy all technical advantages of your Campster to the full. We have also included a chapter on maintenance - and thus on the conservation of value.

In addition, you will find the documents on the base vehicle and the various built-in appliances.

For maintenance work or whenever you need some help, please always get in touch with your CAMPSTER dealer. They know your caravan best of all and will meet all your requests fast and reliably.

We wish you a lot of fun with your Campster, a relaxing holiday and safe driving at all times.

1	Records	5	7.5.2	Changing the bench to the driving position.....	28
1.1	Vehicle document.....	5	7.5.3	Remove bench seat.....	28
1.2	Warranty.....	5	7.5.4	Installing the bench seat.....	29
1.3	Inspection plan.....	6	7.6	Table.....	30
1.4	Inspection records.....	7	7.6.1	Suspension table with fold-out leg.....	30
1.5	Inspection certificates for electrical inspection.....	8	7.7	Pop-up roof.....	30
2	Introduction	9	7.7.1	Opening the pop-up roof.....	31
2.1	General.....	10	7.7.2	Using the sleeping area.....	32
2.2	Environmental tips.....	11	7.7.3	Fitting the safety guard.....	32
3	Safety	12	7.7.4	Closing the pop-up roof.....	33
3.1	Fire prevention.....	12	7.8	Kitchen unit.....	34
3.1.1	Avoidance of fire risks.....	12	8	Gas system	35
3.1.2	Fire-fighting.....	12	8.1	General.....	35
3.1.3	In case of fire.....	12	8.2	Gas bottle.....	36
3.2	General.....	13	8.3	Establishing the gas connection.....	37
3.3	Road safety.....	13	8.4	Changing gas bottles.....	38
3.4	Towing.....	14	8.5	Gas isolator tap.....	39
3.5	Gas system.....	14	8.6	Automatic gas isolator tap.....	39
3.5.1	General information.....	14	8.7	Remote gas switch.....	40
3.5.2	Gas bottle.....	16	9	Electrical system	41
3.6	Electrical system.....	16	9.1	General safety instructions.....	41
3.7	Water system.....	16	9.2	12 V power supply.....	41
4	Before the journey	17	9.2.1	Living area battery.....	42
4.1	Payload.....	17	9.3	Charger/booster.....	42
4.1.1	Terms.....	17	9.3.1	Charging using a 230 V power supply.....	43
4.1.2	Calculating the payload.....	18	9.3.2	Charging using the vehicle engine.....	43
4.1.3	Loading the vehicle correctly.....	19	9.3.3	Setting the charging management when changing the battery.....	43
4.1.4	Roof load.....	19	9.4	230 V supply.....	44
4.2	Television.....	19	9.4.1	230 V connection.....	44
4.3	Road safety.....	20	9.5	Fuses.....	45
5	During the journey	22	9.5.1	12 V fuses.....	45
5.1	Driving the Campster.....	22	9.5.2	12 Volt fuses for appliances.....	45
5.2	Driving speed.....	22	9.5.3	230 volt combination automatic circuit breaker.....	47
5.3	Seat belts.....	22	9.6	Operating panel D110.....	48
5.3.1	Using the seat belt correctly.....	23	9.6.1	Charging mode.....	49
5.4	Driver's seat and front passenger's seat.....	23	9.6.2	Brightness of the operating panel lighting.....	49
5.5	Seating arrangement.....	23	9.6.3	Night mode.....	49
5.6	Operation of heater and cooker.....	23	9.6.4	Warning notices for the starter and living area battery.....	50
6	Setting up the Campster	24	10	Appliances	51
6.1	Handbrake.....	24	10.1	General.....	51
6.2	230 V connection.....	24	10.2	Gas cooker.....	51
7	Living	25	10.3	Diesel independent vehicle heater (special equipment).....	52
7.1	Flap for 230 V connection, square.....	25	11	Sanitary fittings	53
7.2	Ventilation.....	25	11.1	Water supply, general.....	53
7.3	Sliding door.....	26	11.2	Water canister.....	53
7.4	Rotating the seats.....	26	11.3	Waste water canister.....	54
7.5	Bench seat.....	27	11.4	Water system.....	55
7.5.1	Converting the bench.....	27			

12	Care	56
12.1	External care	56
12.1.1	Washing with a high-pressure cleaner.	56
12.1.2	Washing the vehicle	56
12.2	Interior care	56
12.3	Instructions for care of the pop-up roof	57
12.4	Winter care	58
12.4.1	Winter operation	58
12.5	Lay-up	59
12.5.1	Temporary lay-up	59
12.5.2	Winter lay-up	60
12.5.3	Starting up the vehicle after a temporary lay-up or after lay-up over winter	61
13	Maintenance	62
13.1	Official inspections	62
13.2	Inspection work	62
13.3	Maintenance work	62
13.3.1	General	62
13.3.2	Maintenance work at the pop-up roof	62
13.4	Spare parts	63
13.5	Vehicle identification plate	63
13.6	Warning and information stickers	64
14	Troubleshooting	65
14.1	Electrical system	65
14.2	Gas system	66
14.3	Cooker	67

1.3 Inspection plan

Pos.	Component	Activity	Interval
1	Fault current protection switch	Function check with every connection to the 230 V supply	Semi-annually
2	Joints, hinges	Lubricate	Annually
3	Cooler 1 and 2, heater, cooker, lighting, storage flap and door closures, seat belts	Function check	Annually
4	Pop-up roof	Function check, water ingress test	Annually
5	Cushion	Visual check	Annually
6	Sealing rubbers and joints	Check for damage	Annually
7	Water supply	Water ingress test	Annually
8	Hot-air system	Function check, clean fan wheel if necessary	Annually
9	Electrical system	Function check	Annually
10	Gas system	Official gas inspection	Every two years

We reserve the right to modify the inspection plan.

1.4 Inspection records

Delivery

Date:

Signature and stamp of the CAMPSTER dealer:

1st year

Date:

Signature and stamp of the CAMPSTER dealer:

- No defects found
- Found defects:

Should it be determined during an inspection that additional work is necessary, then the carrying out of this work is dependent on the customer commissioning this to be done. Please also adhere to the service intervals stipulated by the manufacturers of the individual equipment. Information is included in the service documents enclosed.

1.5 Inspection certificates for electrical inspection



▷ The entire 230 V system must be checked every three years by a qualified electrician in accordance with VDE 0100.

3rd year

Date:

Qualified electrician's signature and stamp:

Entire 230 V system checked:
 No defects found
 Found defects:

6th year

Date:

Qualified electrician's signature and stamp:

Entire 230 V system checked:
 No defects found
 Found defects:

Please read this instruction manual completely before using the vehicle for the first time!

Always keep this instruction manual in the vehicle. Also inform all other users of the safety regulations.



- ▶ The non-observance of this symbol can lead to personal injury.



- ▷ The non-observance of this symbol can lead to damage being caused to, or inside the vehicle.



- ▷ This symbol indicates recommendations or special aspects.



- ▷ This symbol indicates actions which lead to environmental awareness.

This instruction manual contains sections which describe model-specific equipment or special equipment. These sections are not specially marked. It may be that your vehicle has not been fitted with this special equipment. In some cases, the actual equipment of your vehicle may therefore be different from that shown in some illustrations and descriptions.

However, your vehicle may be fitted with other special equipment not described in this instruction manual.

Special equipment is described when an explanation is required.

Adhere to the instruction manuals which are separately enclosed.



- ▷ The details "right", "left", "front" and "rear" always refer to the vehicle in direction of travel.
- ▷ All dimensions and weight details are "approximate".

Should the vehicle be subjected to damage due to a failure to follow the instructions in this instruction manual, then the warranty claim is deemed invalid.

Our vehicles are subjected to continuous development. Please understand that we reserve the right to alter the form, equipment and technology. Therefore, no claims can be made against the manufacturer as a result of the contents of this instruction manual. The equipment which was known and included at the time of going to press is described.

The reprinting, translation and copying, including extracts is not permitted without prior written authorisation from the manufacturer.

2.1 General

The vehicle is constructed in accordance with the latest technology and the recognised safety regulations. Nevertheless, personal injury may result and the vehicle may be damaged if the safety instructions in this instruction manual are not followed.

Depending on the configuration, the first-aid kit and hazard warning triangle are not included as standard. Equip the vehicle with a first-aid kit and hazard warning triangle before using it for the first time.

Only use the vehicle in a technically impeccable condition. Follow the instructions in the instruction manual.

Malfunctions which impair the safety of persons or the vehicle should be immediately remedied by qualified personnel. To avoid further damages, observe the duty to avert, minimise or mitigate loss for the user during faults.

Have the vehicle's braking and gas systems inspected and repaired by an authorised specialist workshop only.

Alterations to the body are only to be carried out with the authorisation of the manufacturer.

The vehicle is designed for the exclusive transport of persons. Luggage and accessories may only be transported up to the maximum permissible gross weight.

Observe the test and inspection periods stipulated by the manufacturer.

2.2 Environmental tips



- ▷ Do not impair the tranquillity and spruceness of nature.
- ▷ Remember that: All kinds of waste water and household waste are not to be disposed of in drains or in the open countryside.
- ▷ Only empty the waste water canister at disposal stations, at camping sites or caravan sites, that are especially provided for this purpose. When stopping in towns and communities, observe the instructions at caravan sites or ask where there are disposal stations.
- ▷ Collect waste water on board only in the waste water canister or, if need be, in other vessels suitable to this purpose.
- ▷ Empty waste water canister as often as possible, even when the waste water canister is not completely full (hygiene).
If possible, flush out waste water canister and, if necessary, drainage pipe with fresh water every time it is emptied.
- ▷ Separate household waste according to glass, tin cans, plastic and wet waste also when on a journey. Enquire at the town or community authority about disposal points. Household waste is not to be disposed of in waste paper baskets which are situated at car parks.
- ▷ Empty waste bins as often as possible into the cans or containers that are provided for this purpose. This helps to avoid unpleasant smells and an accumulation of rubbish on board.
- ▷ When parked, do not allow the engine to run more than necessary. When running idle, a cold engine releases more contaminants than usual. The running temperature of the engine is achieved more quickly whilst the vehicle is in motion.
- ▷ When staying in towns and communities for longer periods, search for parking areas which are especially designated for motorhomes. Enquire at the town or community authority about parking spaces.
- ▷ Always leave the parking places in a clean condition.

3.1 Fire prevention

3.1.1 Avoidance of fire risks



- ▶ Never leave children in the vehicle unattended.
- ▶ Keep flammable materials clear of heating and cooking appliances.
- ▶ Lights can get very hot. When the light is switched on, a safety distance of 30 cm to combustible material has to be maintained. Fire hazard!
- ▶ Never use portable heating or cooking appliances.
- ▶ Only authorised qualified personnel may modify the electrical system, the gas system or the appliances.
- ▶ The flames of the gas cooker must always be covered by cooking pots or pans. Never use the gas cooker without cooking pots or pans.

3.1.2 Fire-fighting



- ▶ Always carry a dry powder fire extinguisher in the vehicle. The fire extinguisher must be approved, tested and close at hand.
- ▶ Have the fire extinguisher tested at regular intervals by authorised qualified personnel. Observe the date of testing.
- ▶ The fire extinguisher is not included in the scope of delivery ¹⁾.
- ▶ Always keep a fire blanket at hand near the cooker.

¹⁾ In some countries the fire extinguisher is part of the scope of delivery.

3.1.3 In case of fire



- ▶ Evacuate all passengers.
- ▶ Cut off the electrical power supply and disconnect from the mains.
- ▶ Close regulator tap on the gas bottle.
- ▶ Sound the alarm and call the fire brigade.
- ▶ Fight the fire if this is possible without risk.



- ▷ Keep escape routes clear.
- ▷ Observe the fire extinguisher instructions for use.

3.2 General



- ▶ The oxygen in the vehicle interior is used up by breathing and the use of gas operated appliances. That is why the oxygen needs to be replaced on a constant basis. To this purpose ventilation grills have to be installed in the vehicle. When the pop-up roof is opened, the forced ventilation is ensured. Never cover or block forced ventilations from the inside or outside with objects such as e.g. a winter mat. Keep forced ventilations clear of snow and leaves. There is a danger of suffocation due to increased CO₂ levels.
- ▶ Observe the headroom of the doors.
- ▶ Electrical cables are laid in the floor. Never drill holes or screw screws into the floor. There is danger of an electric shock or short circuit due to damage to a line or cable.



- ▷ As far as the fitted appliances (heater, cooker, cooler, etc.) and the base vehicle (engine, brakes, etc.) are concerned, the instruction manuals are authoritative. It is imperative that they be observed.
- ▷ Fitting accessories or special equipment can alter the dimensions, weight and road behaviour of the vehicle. Some of the parts must be entered in the vehicle papers.
- ▷ Only use wheel rims and tyres which are approved for the vehicle. Information concerning the size of the approved wheel rims and tyres is included in the vehicle documents or can be obtained from authorised dealers and service centres.
- ▷ Firmly apply the handbrake when parking the vehicle.



- ▷ When leaving the vehicle, it is imperative that all doors, external flaps and windows are closed.
- ▷ Hazard warning triangle and first-aid kit conforming to DIN 13164 are prescribed by law and must be carried on the vehicle.
- ▷ Only move the vehicle on the road if the driver has a driver's license valid for the vehicle class.
- ▷ When selling the vehicle, hand over all instruction manuals for the vehicle and the fitted appliances.

3.3 Road safety



- ▶ Before commencing the journey, carry out a functional check of indicating and lighting equipment, the steering and the brakes.
- ▶ If the vehicle has been stationary for a long period (approx. 10 months) have the braking and gas systems checked by an authorised specialist workshop.
- ▶ Fold in the pop-up roof fully and lock it into place before commencing the journey.
- ▶ Before starting the journey, rotate the seat in the direction of travel and lock in position. The rotating seats must remain locked in the direction of travel during the journey.
- ▶ During the journey, persons are only to sit on the permitted seats (see Chapter 5). The authorised number of seats is stipulated in the vehicle documents.



- ▶ Before starting the journey fasten your seat belt and keep it fastened during the journey.
- ▶ Always secure children with the child-protection equipment that is mandatory for the respective child's size and weight.
- ▶ Deactivate the passenger airbag, if a child safety seat facing backwards is used on the front passenger's seat.
- ▶ Attach child restraint systems only at seats with factory-set three-point safety belts or to ISOFIX attachment systems.
- ▶ Observe the overall height of the vehicle (including roof loads) at underpasses, tunnels, etc.
- ▶ In winter, the roof must be free of snow and ice before commencing the journey.
- ▶ For vehicles with motorhome registration the kitchen unit must not be removed since otherwise the registration for driving becomes invalid. This means that a 7-seater cannot be registered as a motorhome.



- ▷ Before commencing the journey, distribute the vehicle payload evenly (see Chapter 4).
- ▷ When loading the vehicle and when taking a rest from driving, in order to load luggage or food, for example, observe the maximum permissible gross weight and axle loads (refer to vehicle documents).
- ▷ Before commencing the journey, ensure that the cupboard doors, all drawers and flaps are secure.
- ▷ Before commencing the journey, close the windows.
- ▷ Before commencing the journey, close all external flaps and lock them.

3.4 Towing



- ▶ Care is to be taken when connecting and detaching a trailer. Risk of accident and injury!
- ▶ No persons are to be between the towing vehicle and the trailer during positioning for connecting and detaching.

3.5 Gas system

3.5.1 General information



- ▶ Close the gas isolator tap and the regulator tap before commencing the journey and when leaving the vehicle.
- ▶ No appliance (e.g. heater) that is operated through the built-in burner may be operational while fuel is being filled up, on ferries or in the garage. Danger of explosion!
- ▶ If an appliance is operated through a burner, do not start the appliance up in closed areas (e.g. garages). Danger of poisoning and suffocation!
- ▶ Have the gas system serviced, repaired or altered by an authorised workshop only.



- ▶ Have the gas system checked by an authorised specialist workshop before starting up and according to the national regulations. This also applies for not registered vehicles. For modifications to the gas system have the gas system immediately checked by an authorised specialist workshop.
- ▶ The gas pressure regulator has to be checked. The gas pressure regulator has to be replaced at least every 10 years. The vehicle owner is responsible for seeing that this is carried out.
- ▶ In case of a defect of the gas system (gas odour, high gas consumption) there is danger of explosion! Close the regulator tap on the gas bottle immediately. Open doors and windows and ventilate well.
- ▶ In case of a defect in the gas system: Do not smoke; do not ignite any open flames, and do not operate electric switches (light switches etc.).
- ▶ Have the defect in the gas system repaired by an authorised specialist workshop.
- ▶ Open the pop-up roof or a window before taking open sources of combustion (gas cooker) into service (see also Chapter 8.7).
- ▶ Do not use the gas cooker for heating purposes.
- ▶ If the vehicle or the gas device is not used, close the regulator tap on the gas bottle.
- ▶ Ignition safety valves must close within 1 minute after the gas flame has extinguished. A clicking sound is audible. Check function from time to time.
- ▶ The fitted gas device is designed solely for operation with butane gas. The gas pressure regulator and the fitted gas device are designed for an operating pressure of 30 mbar.
- ▶ Regularly inspect the gas tube fitted to the gas bottle connection for tightness. The gas tube must not have any tears and must not be porous. Have the gas tube replaced by an authorised specialist workshop no later than 10 years after the manufacturing date. The operator of the gas system must see to it that the parts are replaced.
- ▶ Due to its function and construction, the gas bottle compartment is a space which is open to the exterior. Never cover or block the standard forced ventilation. Otherwise leaking gas cannot be dispersed to the outside.
- ▶ Do not use the gas bottle compartment as storage space as it is not moisture-proof.
- ▶ The regulator tap on the gas bottle must be accessible.
- ▶ Only connect gas-operated devices (e.g. gas grill) which have been designed for a gas pressure of 30 mbar.

3.5.2 Gas bottle



- ▶ Transport the gas bottle only within the designated gas bottle compartment.
- ▶ Place the gas bottle vertically in the gas bottle compartment.
- ▶ Tie down the gas bottle so that it is unable to turn or tilt.
- ▶ Close the regulator tap on the gas bottle before the gas pressure regulator or gas tube are removed from the gas bottle.
- ▶ Use your hands only to connect the gas pressure regulator or the gas tube to the gas bottle. Do not use any tools.
- ▶ Only use special gas pressure regulators with safety valves for use in vehicles (included in the scope of delivery status for a new vehicle).
- ▶ Use only gas bottles up to 2.8 kg, including gas bottle valves with safety device (e.g. blue camping gas bottles R907). The gas bottle valve with safety device is not part of the camping gas bottle. The Campster is optimised for the camping gas bottle. Other gas bottles of the same design have not been tested.
- ▶ Never block the ventilation openings in the floor under the gas bottles.
- ▶ Check whether the gas ventilation system is complete.

3.6 Electrical system



- ▶ Only allow qualified personnel to work on the electrical system.
- ▶ Prior to carrying out work on the electrical system, switch off all devices and lights, disconnect the battery and disconnect the vehicle from the mains.
- ▶ Only use original fuses with the stipulated values.
- ▶ Only replace defective fuses when the cause of the defect is known and has been remedied.
- ▶ Never bridge or repair fuses.

3.7 Water system



- ▶ Water left standing in the water canister or in the water pipes becomes undrinkable after a short period. For this reason, rinse the water pipes and the water canister thoroughly with several litres of fresh water before each use of the vehicle. To do this, open the water tap. After each use of the vehicle completely empty the water canister and the water pipes.



- ▷ If the vehicle is not used for several days or if it is not heated when there is a risk of frost, empty the entire water system. Leave the water tap opened. Frost damage to appliances, frost damage to the vehicle and deposits in water-carrying components can be avoided in this way.

4.1 Payload



- ▶ Excessive payload and the wrong tyre pressure can cause the tyre to burst. You can lose control of the vehicle.
- ▶ Adapt your speed to the payload. The stopping distance is longer when the payload is higher.



- ▷ The maximum permissible gross weight stated in the vehicle documents is not to be exceeded by the payload.
- ▷ Built-in accessories and special equipment reduce the payload.
- ▷ Adhere to the axle load stated in the vehicle documents.

On loading, make sure that the payload's centre of gravity is as low as possible (directly above the floor of the vehicle). Otherwise this may affect the driving characteristics of the vehicle.

4.1.1 Terms



- ▷ In technical and scientific texts the term "mass" has replaced the term "weight". However the term "weight" is still the more common term in general usage. To contribute toward understanding the term "mass" is therefore only used in established phrases in the following passages.

Maximum permissible gross weight in a laden condition

The maximum permissible gross weight in a laden condition is the weight that a vehicle may never exceed.

The maximum permissible overall weight in laden condition consists of the **mass in ready-to-drive condition** and of the **payload**.

The manufacturer has specified the maximum permissible gross weight in a laden condition in Field F.1 of the vehicle documents.

Mass in ready-to-drive condition

The manufacturer specifies the mass in ready-to-drive conditions in Field G of the vehicle documents.

Payload

The payload is made up as follows:

- Conventional load
- Additional equipment
- Personal equipment

Explanations of the individual components of the payload are contained in the following text.

Conventional load

The conventional load is the weight specified by the manufacturer for the passengers.

Conventional load means: 75 kg are calculated for every seat specified by the manufacturer, regardless of how much the passengers actually weigh. The driver's seat is already included as part of the mass in ready-to-drive condition and must **not** be calculated as part of the conventional load.

The manufacturer specifies the number of seats in Field S.1 of the vehicle documents.

Additional equipment Additional equipment includes accessories and special equipment. Examples of additional equipment include:

- Tow coupling
- Roof racks
- Awning
- Bike or motorcycle rack

Information about the weights of the various special equipment devices can be obtained from the manufacturer.

Personal equipment Personal equipment includes all items in the vehicle that are not included in the conventional load and the additional equipment. For example, personal equipment can include the following:

- Foodstuffs
- Crockery
- Television
- Radio
- Clothes
- Bedding
- Toys
- Books
- Toiletries

No matter where kept, personal equipment also includes:

- Animals
- Bikes
- Boats
- Surfboards
- Sports equipment

4.1.2 Calculating the payload



- ▶ Payload calculation at the manufacturer is partly based on all-inclusive weights. For safety reasons, the maximum permissible gross weight in a laden condition must not be exceeded.
- ▶ Only the maximum permissible gross weight and the mass in a ready-to-drive condition, not the actual weight of the vehicle, is stated in the vehicle documents. For your own safety, we recommend that you have your loaded vehicle (with passengers) weighed on a public weighbridge before you set out on your journey.

The payload (see Section 4.1.1) is the difference in weight between

- Maximum permissible gross weight in a laden condition and
- Vehicle mass complete in a ready-to-drive condition.

Example for calculating the payload

	Mass in kg to be calculated	Calculation
Maximum permissible gross weight according to vehicle documents, Field F.1	3100	
Vehicle mass in a ready-to-drive condition, including basic equipment according to vehicle documents, Field G	- 2520	
This results in a permissible payload of	580	
Conventional load, e.g. 3 persons at 75 kg each	- 225	
Additional equipment	- 40	
For the personal equipment this results in	= 315	

The calculation of the payload from the difference between the maximum permissible gross weight in laden condition and the mass specified by the manufacturer in ready-to-drive condition is however only a theoretical value. Only if the vehicle is weighed with full tanks (fuel and water), full gas bottle and complete additional equipment on a public weighbridge, can the actual payload be determined.

4.1.3 Loading the vehicle correctly



- ▶ To ensure safety never exceed the maximum permissible gross weight in a laden condition.
- ▶ Distribute the load evenly between the left-hand and right-hand sides of the vehicle.
- ▶ Distribute the load evenly between both axles. Observe the axle loads specified in the vehicle documents. Additionally observe the permissible load-carrying capacity of the tyres.
- ▶ Securely store all the objects so that they cannot slide or slip.
- ▶ Store heavy objects (awning, canned food, etc.) close to the axles. Low-lying storage compartments whose doors do not open in the direction of travel are particularly suited for storing heavy objects.
- ▶ Store lighter objects (laundry) in the roof storage compartments.

4.1.4 Roof load



- ▷ A roof rack is commercially available as an accessory. Assembly details and the available roof load with respect to the pop-up roof can be found in the instruction manual for the roof rack. We recommend professional installation in a suitable workshop. (Dethleffs GmbH & Co. KG) accepts no liability for any damage if the approved roof load is exceeded.

4.2 Television



- ▶ Before starting your journey, remove the television from the support and store it securely.


4.3 Road safety



- ▶ Check the tyre pressure before a journey and at 2-week intervals. Wrong tyre pressure causes excessive wear and can lead to damage or even to tyre burst. You can lose control of the vehicle.

Before commencing the journey, work through the checklist:

	No.	Checks	Checked
Base vehicle	1	All vehicle documents are on board	
	2	Tyres in proper condition	
	3	Vehicle lighting, brake and reversing lights function	
	4	Oil level at engine, gear unit and power steering checked	
	5	Coolant and liquid for windshield washer system topped up	
	6	Breaks function	
	7	Brakes react evenly	
	8	When braking, the vehicle remains on track	
Housing body, outside	9	Awning completely retracted	
	10	Roof free of snow and ice (in winter)	
	11	External connections and lines disconnected and stored away	
	12	Pop-up roof folded in, closed, locked and secured	
	13	External flaps and doors closed and locked	
	14	Overall height of the vehicle including roof rack when loaded measured and noted. Keep the height information close at hand in the driver's cabin	
Housing body, inside	15	Table stored	
	16	Loose parts stored away or fixed in position	
	17	Open storage spaces empty	
	18	All drawers and flaps closed	
	19	Children's seats mounted to seats with three-point safety belts or ISOFIX	
	20	Swivel seat locking device for driver's seat and front passenger's seat locked	
	21	Bench seat brought into driving position (the lever has to point to the green marking)	
	22	Shades in the driver's cabin removed	
	23	Ventilation grilles stowed	

	No.	Checks	Checked
Gas system	24	Gas bottle firmly fixed in the gas bottle compartment so that they are unable to turn	
	25	Regulator tap on the gas bottle and gas isolator tap closed	
Electrical system	26	<p>Check the battery voltage of the starter battery and the living area battery (see Chapter 9). If the panel indicates that the battery voltage is too low, the respective battery has to be recharged. Observe the instructions in Chapter 9</p> <p> ▷ Commence the journey with a fully charged starter battery and living area battery.</p>	

5.1 Driving the Campster



- ▶ Always wear a seat belt during the journey at those seats where a seat belt is mounted.
- ▶ Never open the seat belt during the journey.
- ▶ Passengers must remain in the seats provided.
- ▶ The door lock may not be opened.



- ▷ Drive slowly on bad roads.



- ▷ If an accident occurs as a result of these instructions not being observed, the manufacturer will not be responsible for damages caused.
- ▷ The safety measures specified in Chapter 3 have to be observed.

5.2 Driving speed



- ▶ The vehicle is equipped with a powerful engine. Meaning that you have sufficient power reserves in difficult traffic situations. This high power allows a high end speed and requires above-average driving skills.
- ▶ The vehicle provides a huge surface exposed to wind. Particular danger arises when a side wind suddenly occurs.
- ▶ Uneven or one-sided loading changes the road behavior.
- ▶ On unknown roads the road surface conditions may be difficult and unexpected traffic situations may arise. Therefore adapt your driving speed to the respective traffic situation and the ambient situation for your safety.
- ▶ Observe the statutory speed limits that apply in the respective country.

5.3 Seat belts

The vehicle is equipped with automatic three-point safety belts at those seats in the living area for which a seat belt is stipulated by law. ISOFIX attachment systems are mounted on the seats of the back seat. The corresponding national regulations apply for using a seat belt.



- ▶ Before starting the journey fasten your seat belt and keep it fastened during the journey.
- ▶ Do not damage or clamp in the belts. Have damaged seat belts replaced by an authorised specialist workshop.
- ▶ Do not change the belt attachment points, the automatic retractor and the belt locks.
- ▶ Bench seat brought into driving position (see Chapter 7.5.2).
- ▶ Check the screwed connections of the seat belts at intervals in order to ensure that they are firmly seated.
- ▶ Use each seat belt for **one** adult person only.



- ▶ Do not belt up objects together with persons.
- ▶ Seat belts are not sufficient for persons who are less than 150 cm tall. In this case use additional retention devices. Observe the test certificates.
- ▶ Factory-set three-point safety belts must be used when attaching child restraint systems.
- ▶ Replace (have replaced) the seat belts that were in use during an accident.
- ▶ Do not tilt the backrest of the seat too far back during the journey. Otherwise the effectiveness of the seat belt is no longer ensured.

5.3.1 Using the seat belt correctly



- ▶ Do not twist the belt. The belt must be positioned smoothly against the body.
- ▶ Before applying the seat belt, adopt the correct sitting position.

5.4 Driver's seat and front passenger's seat



- ▶ Before starting the journey, rotate the seat in the direction of travel and lock in position.
- ▶ Lock the seats in the direction of travel and do not turn them during the journey.



- ▷ The driver's and front passenger's seat are a part of the base vehicle, depending on model and vehicle equipment. In this case the adjustment of the seats is described in the operating instructions of the base vehicle.

5.5 Seating arrangement



- ▶ During the journey, persons are only to sit on the permitted seats. The authorised number of seats is stipulated in the vehicle documents.
- ▶ Wearing of seat belts is compulsory at all seats.

5.6 Operation of heater and cooker



- ▶ No appliance (e.g. heater or cooker) that is operated through the built-in burner may be operational while fuel is being filled up, on ferries or in the garage. Danger of explosion!

Refer to the instruction manual for the base vehicle for the position of the fuel filler neck.

6.1 Handbrake



- ▶ When the handbrake is released, the vehicle can move, for example when it is positioned on vehicle wedges.

Firmly apply the handbrake when parking the vehicle.



- ▷ An applied handbrake can prevent the driver's seat from turning. If necessary release the handbrake briefly.

6.2 230 V connection

The vehicle can be connected to a 230 V power supply (see Chapter 9).

7.1 Flap for 230 V connection, square

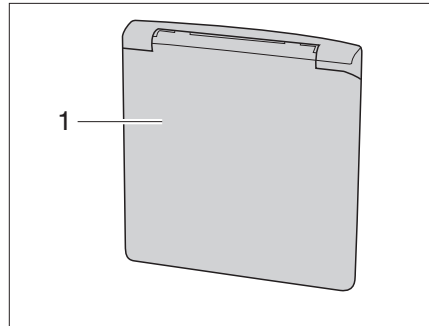


Fig. 1 Flap for 230 V connection

Opening: ■ Grip the external flap (Fig. 1,1) at the bottom and lift it upwards.

Closing: ■ Lower the external flap downward and press it shut.

7.2 Ventilation



The oxygen in the vehicle interior is used up by breathing and the use of gas operated appliances. That is why the oxygen needs to be replaced on a constant basis. Ensure constant ventilation by opening the pop-up roof or opening a window. When the pop-up roof is opened, the forced ventilation is ensured.



▷ Although sufficient ventilation is provided, in certain weather conditions, condensation can form on metal objects (e.g. screwed connections in the floor).

Condensation

Ensure that there is a continuous exchange of air by providing frequent and efficient ventilation. This is the only method for ensuring that condensation is not formed during cool weather. During the colder season, a pleasant living climate is created if heating output, air distribution and ventilation are synchronised. To avoid draft close the air outlet nozzles on the dashboard and set the air distribution of the base vehicle to air circulation. If the vehicle is laid up for a longer period, occasionally ventilate it well, especially in summer as heat accumulation can occur.

7.3 Sliding door



- ▶ Ensure when closing the sliding door that no fingers or other body parts are clamped in.
No-one may be within the closing area of the sliding door when it is being closed.
- ▶ Ensure that children do not use the sliding door without supervision.
- ▶ Deactivate the child-safety lock while staying in the Campster (emergency exit).
- ▶ Observe the instruction manual of the vehicle manufacturer for the electrical sliding door (special equipment).

Activating/deactivating the child lock



- ▷ For more information about the built-in child safety lock, see the operating instructions of the chassis manufacturer.

7.4 Rotating the seats



- ▶ Before starting the journey, rotate the seat in the direction of travel and lock in position. The rotating seats must remain locked in the direction of travel during the journey.
- ▶ The vehicle can move when the parking brake is released, e.g. when it is on chocks.



- ▷ For more information about the seat adjustment options, refer to the chassis manufacturer's instruction manual.

7.5 Bench seat



The bench seat may only be used as the last row in the vehicle. Additional seats may not be installed and used behind the bench seat, but may only be installed and used in front of it.

7.5.1 Converting the bench

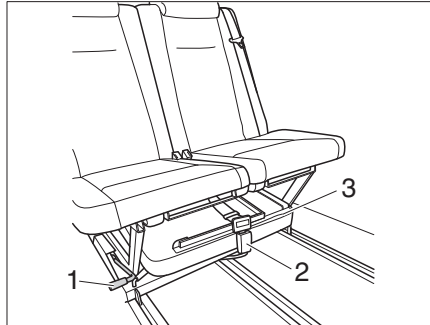


Fig. 2 Moving the seat bench

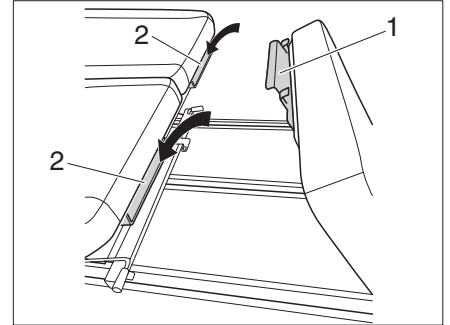


Fig. 3 Attach the bed extension

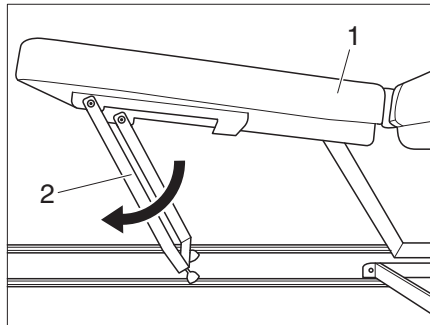


Fig. 4 Unfold the feet

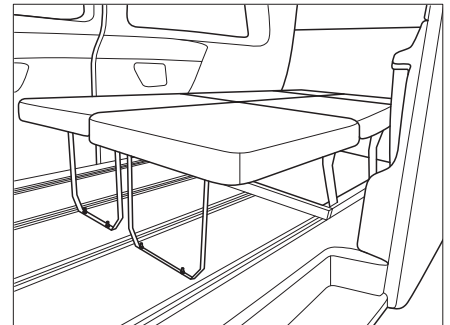


Fig. 5 Bench seat in sleeping position

- Open the belt buckle (Fig. 2,2) and remove the (Fig. 2,3) bed extension.
- Pull the positioning lever (Fig. 2,1) and push the bench seat forward.
- Hook the clips (Fig. 3,1) of the bed extension into the brackets (Fig. 3,2) under the seat bench.
- Fold down the feet (Fig. 4,2) under the bed extension (Fig. 4,1) until they lock into a vertical position.

The bench is now in sleeping position (Fig. 5).

7.5.2 Changing the bench to the driving position



While driving, the bed extension must be secured with the safety belt (Fig. 72)!

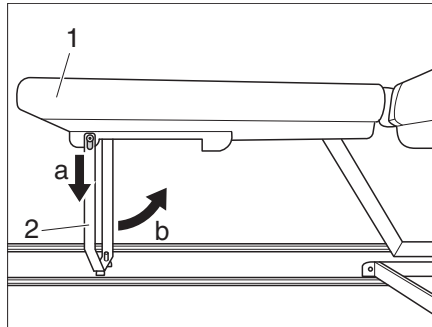


Fig. 6 Fold in the feet

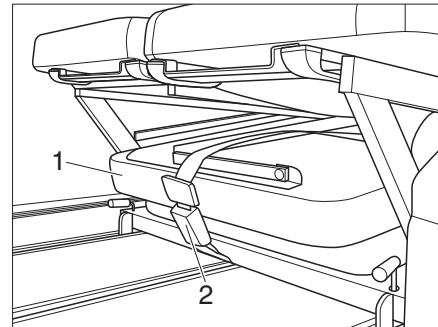


Fig. 7 Stow bed extension

- Press the bed extension (Fig. 6,1) down (a), fold in the feet (Fig. 6,2) (b) and remove the bed extension.
- Stow the bed extension (Fig. 7,1) under the bench seat and secure it with the belt (Fig. 7,2) buckle.

7.5.3 Remove bench seat

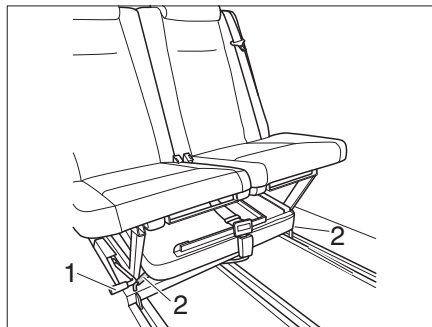


Fig. 8 Remove bench seat

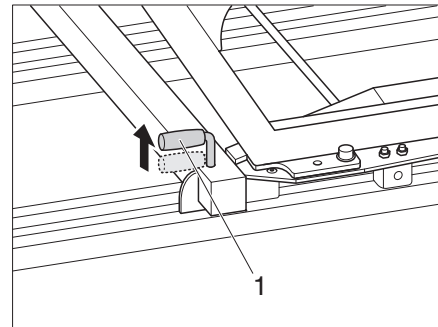


Fig. 9 Catch lever

- Pull both locking levers (Fig. 8,2 or Fig. 9,1) upwards.
- Pull the positioning lever (Fig. 8,1) and carefully push the bench seat backwards until the seat can be lifted out of the rails.

7.5.4 Installing the bench seat

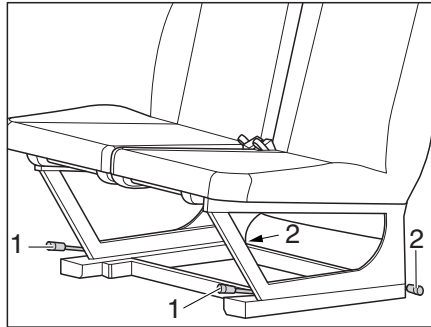


Fig. 10 Installing the bench seat

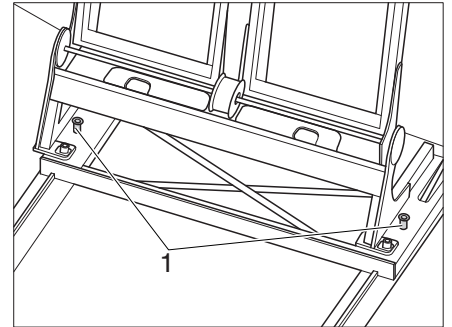


Fig. 11 Locking bolt

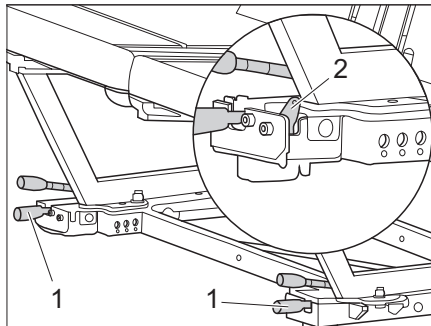


Fig. 12 Locking the bench seat

- Pull out both rear locking levers (Fig. 10, 2) and block them with locking bolts.
 - Move both front locking levers (Fig. 10, 1) to the upper position.
 - Place the bench seat in the rails.
 - Pull the locking bolt (Fig. 11, 1) upwards.
The rear locking levers are thus retracted and hold the seat bench in the rail.
 - Press the front locking lever (Fig. 10, 1) downwards.
The claws of the substructure grip into the rail.
 - Check that the front locking levers (Fig. 10, 1) engage in the safety lever (Fig. 10, 2).
- ▷ Ensure that both front locking levers (Fig. 10, 1) are fully locked.



7.6 Table

7.6.1 Suspension table with fold-out leg

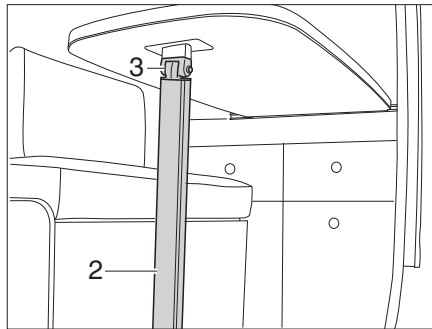


Fig. 13 Suspension table with fold-out leg

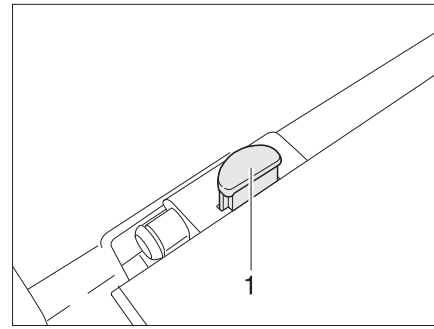


Fig. 14 Table top locking mechanism

Dismantling the suspension table:

- Slightly lift the front of the table-top.
- Unlock the table leg (Fig. 13,2) at the hinge and fold it in.
- Press the release knob (Fig. 14,1) at the locking mechanism of the table-top.
- Detach the suspension table from the upper attachment rail.

Installing the suspension table:

- Attach the suspension table to the attachment rail.
 - Fold out the table leg (Fig. 13,2) and place it on the floor of the Campster.
 - Make sure that the table leg is not in the rail.
- ▷ While travelling, the table must be stowed safely in the bag behind the bench seat.



7.7 Pop-up roof



- ▶ Fold in the pop-up roof before commencing the journey.



The structure of the tent fabric of the pop-up roof has very tiny holes. This is completely normal – the holes close as soon as the tent becomes moist and the fibres swell.

Water column for the cloth bellows according to the manufacturer:
100 mm × 24 h

7.7.1 Opening the pop-up roof

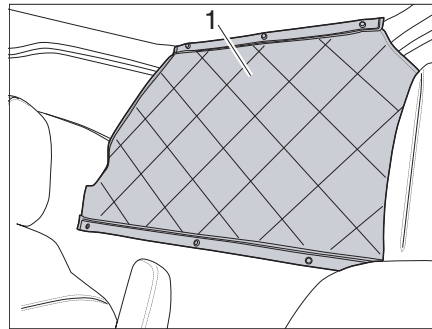


Fig. 15 Rolling up the access cover

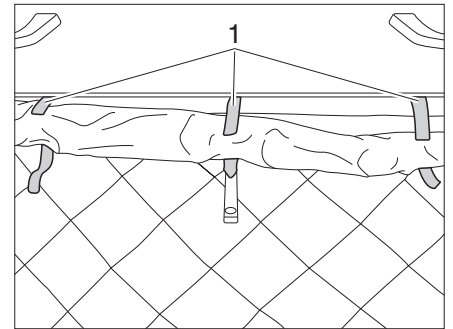


Fig. 16 Opening the Velcro

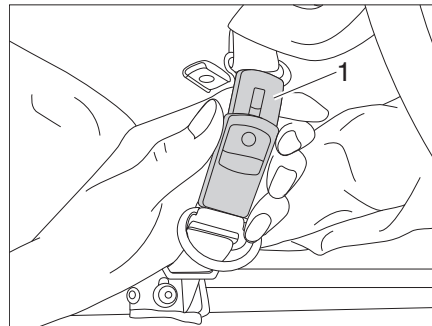


Fig. 17 Open the securing belt

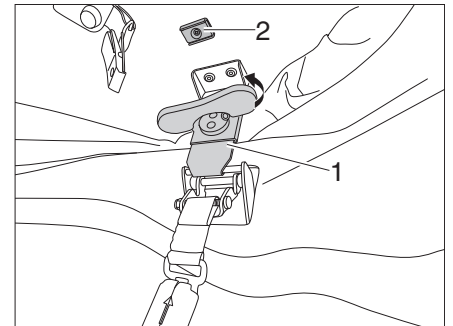


Fig. 18 Releasing the locking mechanisms

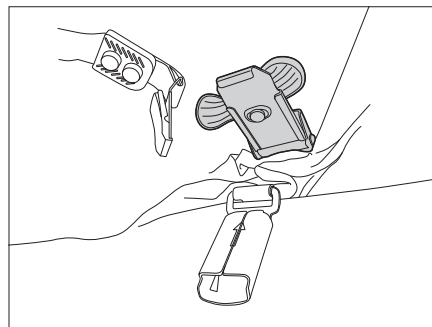


Fig. 19 Fastening the locking mechanism

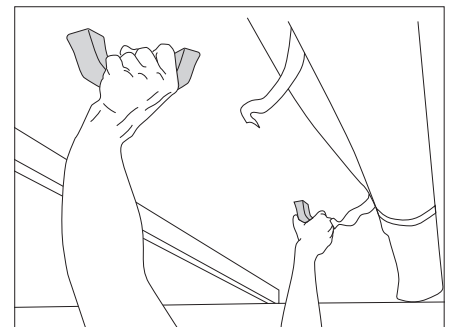


Fig. 20 Pushing up the pop-up roof

- Open the entrance cover (Fig. 15,1) and roll it up.
- Open the three Velcros (Fig. 16,1) of the cloth bellows.
- Open the securing belts (Fig. 17,1).
- Set up the twist grips of the left- and right-hand locking mechanism (Fig. 18,1) and turn counter-clockwise until the locking mechanisms are loosened.
- Fold the twist grip further downward and attach the locking mechanism to the magnet (Fig. 18,2) (Fig. 19).
- Hold the grips with both hands and push the pop-up roof upwards (Fig. 20).
- Fold the sleeping area upwards to obtain headroom.

7.7.2 Using the sleeping area



- ▶ The maximum load for the bed in the pop-up roof is 200 kg.
- ▶ Only use the bed in the pop-up roof when the safety guard is in position.
- ▶ When climbing onto the sleeping area do not step onto the armrest of the driver's and front passenger's seats.
- ▶ Ensure in particular with regard to small children less than 6 years of age, that they cannot fall from the sleeping area.

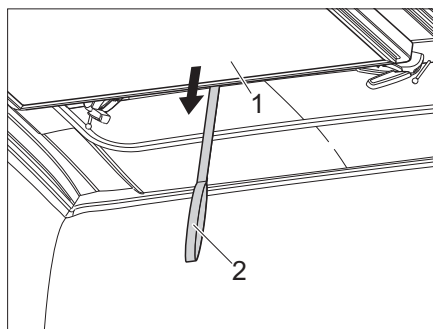


Fig. 21 Pulling the sleeping area downwards

Preparing the sleeping area

- Pull the sleeping area (Fig. 21,1) downwards with the belt (Fig. 21,2).

7.7.3 Fitting the safety guard



- ▷ Do not mount the falling-out protection until the persons are already in the pop-up roof.

To prevent children falling off the bed, the safety guard can be fitted to the pop-up roof.

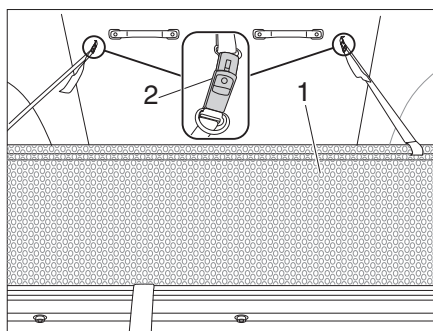


Fig. 22 Falling-out protection

Attaching the falling-out protection:

- Pull the safety guard (Fig. 22,1) out from under the mattress.
- Secure the safety guard to the pop-up roof with the strap buckle (Fig. 22,2).

Removing and storing the falling-out protection:

- Releasing the strap buckle (Fig. 22,2).
- Stow the safety guard (Fig. 22,1) under the mattress.

7.7.4 Closing the pop-up roof



- ▷ Before closing the pop-up roof open at least one door of the vehicle. Material damage may otherwise occur through excess pressure.
- ▷ Before closing the pop-up roof pull the sleeping area (Fig. 21,1) down. **Do not** pull the sleeping area and the pop-up roof down at the same time.
- ▷ When closing the pop-up roof ensure that the cloth bellows are not clamped in.
- ▷ In order to avoid possible damage to the tent fabric fasten the locking lever (Fig. 24,1) at the top to the magnet (Fig. 25,3).
- ▷ Before starting your journey, check whether the locking levers of the latches (Fig. 25,1) on the left and right are correctly tensioned. If necessary, adjust the lock according to the instructions from the manufacturer.
- ▷ There must be no objects or bedding between the roof shell and the bed unit - risk of damage!
- ▷ The pop-up roof may only be closed with the original mattress.
- ▷ Make sure that the mattress does not protrude to the rear beyond the bed.

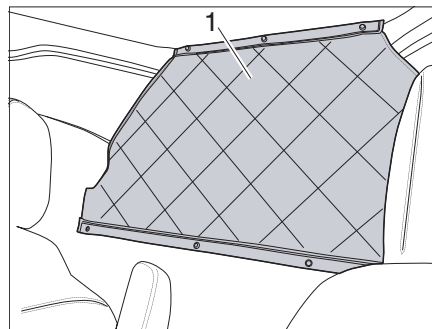


Fig. 23 Unrolling the entrance cover

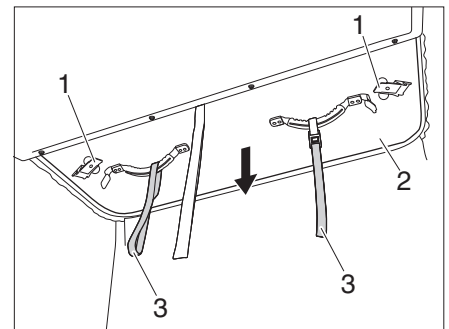


Fig. 24 Pulling the pop-up roof downwards

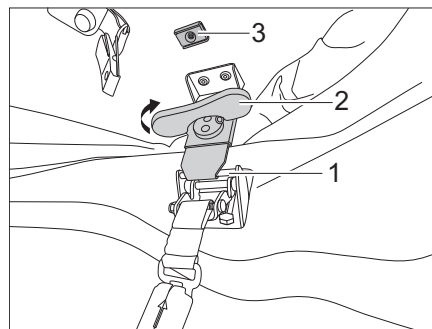


Fig. 25 Tensioning the locking mechanism

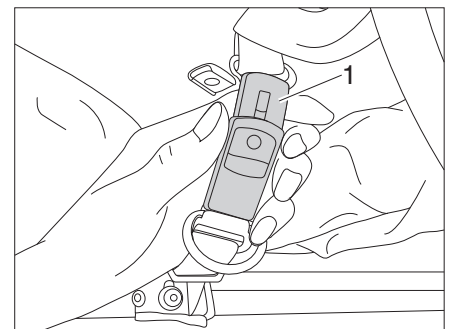


Fig. 26 Closing the securing belt

- Open a door at the vehicle.
- Unroll the entrance cover (Fig. 23,1).
- Pull the sleeping area (Fig. 21,1) downwards with the belt (Fig. 21,2).
- Check whether the locking mechanism are secured by the magnets (Fig. 25,3).
- **Slowly** pull the pop-up roof (Fig. 24,2) downwards at the pulling devices (Fig. 24,3) while looking to the rear and ensure that the cloth bellow falls neatly towards the inside.
- Loosen the locking lever (Fig. 24,1) from the magnet (Fig. 25,3) and attach it into the catch (Fig. 25,1).

- Turn the twist grip (Fig. 25,2) of the locking mechanism clockwise until the locking mechanism is fastened.
 - Fold the twist grip (Fig. 25,2) upwards.
 - Close the securing belts (Fig. 26,1).
 - Roll up the cloth bellows in area of the locking mechanism with care and fasten with the three Velcros (Fig. 16,1).
 - Close the entrance cover (Fig. 23,1) with snap fasteners.
- ▷ If the locking levers (Fig. 24,1) move excessively and the pop-up roof cannot be properly shut, adjust the latch as described in section 12.3.2.



7.8 Kitchen unit

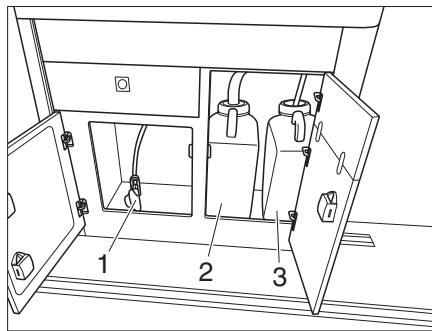


Fig. 27 Campster kitchen unit

The connection (Fig. 27,1) for the gas bottle is located behind the left cupboard door of the kitchen unit.

The waste water canister (Fig. 272) and the water canister are located behind the right cabinet door (Fig. 27,3) (see also chapter 11).

8.1 General



- ▶ Close the gas isolator tap and the regulator tap before commencing the journey and when leaving the vehicle.
- ▶ No appliance (e.g. heater or cooker) that is operated through the built-in burner may be operational while fuel is being filled up, on ferries or in the garage. Danger of explosion!
- ▶ If an appliance is operated through a burner, do not start the appliance up in closed areas (e.g. garages). Danger of poisoning and suffocation!
- ▶ Have the gas system serviced, repaired or altered by an authorised workshop only.
- ▶ Have the gas system checked by an authorised specialist workshop before starting up and according to the national regulations. This also applies for not registered vehicles. For modifications to the gas system have the gas system immediately checked by an authorised specialist workshop.
- ▶ The gas pressure regulator has to be checked. The gas pressure regulator has to be replaced at least every 10 years. The vehicle owner is responsible for seeing that this is carried out.
- ▶ In case of a defect of the gas system (gas odour, high gas consumption) there is danger of explosion! Close the regulator tap on the gas bottle immediately. Open doors and windows and ventilate well.
- ▶ In case of a defect in the gas system: Do not smoke; do not ignite any open flames, and do not operate electric switches (light switches etc.).
- ▶ Have the defect in the gas system repaired by an authorised specialist workshop.
- ▶ Open the pop-up roof or a window before taking open sources of combustion (gas cooker) into service.
- ▶ Do not use the gas cooker for heating purposes.
- ▶ If the vehicle or the gas device is not used, close the regulator tap on the gas bottle.
- ▶ Ignition safety valves must close within 1 minute after the gas flame has extinguished. A clicking sound is audible. Check function from time to time.
- ▶ The fitted gas device is designed solely for operation with butane gas. The gas pressure regulator as well as the fitted gas device is designed for an operating pressure of 30 mbar.
- ▶ Regularly inspect the gas tube fitted to the gas bottle connection for tightness. The gas tube must not have any tears and must not be porous. Have the gas tube replaced by an authorised specialist workshop no later than 10 years after the manufacturing date. The operator of the gas system must see to it that the parts are replaced.
- ▶ Due to its function and construction, the gas bottle compartment is a space which is open to the exterior. Never cover or block the standard forced ventilation. Otherwise leaking gas cannot be dispersed to the outside.
- ▶ The regulator tap on the gas bottle must be accessible.



- ▶ Only connect gas-operated devices (e.g. gas grill) which have been designed for a gas pressure of 30 mbar.
- ▶ Exhaust fumes must be able to escape into the atmosphere unhindered and fresh air must be able to enter unhindered. Therefore keep the intake openings clean and free (e.g. of snow and ice). No snow walls or aprons may be allowed to lie against the vehicle.

8.2 Gas bottle



- ▶ Transport the gas bottle only within the designated gas bottle compartment.
- ▶ Place the gas bottle vertically in the gas bottle compartment.
- ▶ Tie down the gas bottle so that it is unable to turn or tilt.
- ▶ If the gas bottle is not connected to the gas tube, always place the protective cap on top.
- ▶ Close the regulator tap on the gas bottle before the gas pressure regulator or gas tube are removed from the gas bottle.
- ▶ Use your hands only to connect the gas pressure regulator or the gas tube to the gas bottle. Do not use any tools. Other gas pressure regulators are not allowed.
- ▶ Only use special gas pressure regulators (Fig. 29,2) with a safety valve for use in vehicles (included with new vehicles).
- ▶ Only use gas bottles up to 2.8 kg, including gas bottle valve with a safety device (e.g. blue 1.8 kg / 2.8 kg camping gas bottles R904 / R907 ¹⁾)
- ▶ Never block the ventilation opening in the floor under the gas bottle.

¹⁾ A gas bottle valve with safety device is not part of the camping gas bottle.



- ▷ Screwed connections on the gas pressure regulator have left-handed threads.
- ▷ For gas-operated units the gas pressure must be reduced to 30 mbar.
- ▷ Connect gas pressure regulator complete with safety valve directly to bottle valve.
The gas pressure regulator reduces the gas pressure in the gas bottle down to the operating pressure of the gas device.
- ▷ Information is available at the dealers and service centres.

8.3 Establishing the gas connection



- ▶ Have the gas connection established only by a specialist person.

When the Campster is commissioned, the gas connection in the kitchen unit has to be established.

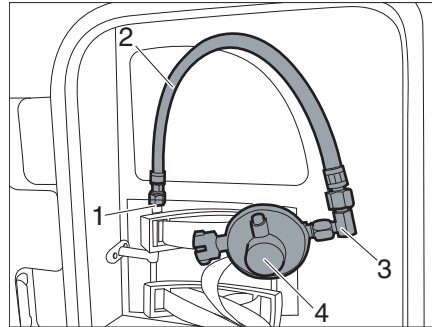


Fig. 28 Gas tube with gas pressure regulator

- Screw the elbow (Fig. 28,3) onto the gas tube (Fig. 28,2).
- Screw the gas pressure regulator (Fig. 28,4) onto the elbow.
- Screw the gas tube (Fig. 28,2) with the gas pressure regulator onto the connecting piece (Fig. 28,1).
- Connect the gas bottle (see Chapter 8.4).

8.4 Changing gas bottles



- ▶ When changing the gas bottle, do not smoke or create any open fire.
- ▶ When you have changed the gas bottle, check whether gas escapes at the connection points and unions. Use a leakage search spray to spray the relevant connection point or union. These agents are available at the accessories shop.

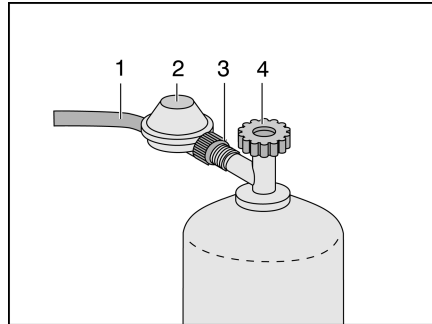
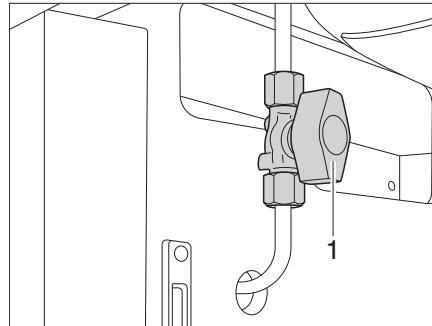


Fig. 29 Gas bottle connection

- Open flap for the gas bottle compartment.
- Close the regulator tap (Fig. 29,4) on the gas bottle. Pay attention to the direction of the arrow.
- Hold the gas pressure regulator (Fig. 29,2) and open the knurled nut (Fig. 29,3) (left-handed thread).
- Remove the gas pressure regulator and the gas tube (Fig. 29,1) from the gas bottle.
- Release the fixing belts and remove the gas bottle.
- Place a filled gas bottle in the gas bottle compartment.
- Fix gas bottle in place with the fixing belt.
- Position the gas pressure regulator (Fig. 29,2) and the gas tube (Fig. 29,1) on the gas bottle and tighten the knurled nut (Fig. 29,3) by hand (left-handed thread).
- Close flap.

8.5 Gas isolator tap



1 Gas isolator tap Cooker

Fig. 30 Gas isolator tap

A gas isolator tap (Fig. 30,1) is installed in the vehicle for the cooker.

8.6 Automatic gas isolator tap



The automatic gas shut-off valve ensures that the cooker is only operated in a sufficiently ventilated vehicle or with the kitchen module swung out. Several contact switches are installed in the vehicle for this purpose.

- ▶ Make sure that the 12 V electrical system is switched on when cooking.
- ▶ The gas system must not be operated with the pop-up roof closed. Danger of poisoning and suffocation!



- ▷ If the power supply is interrupted, the solenoid valve in the automatic gas isolator tap closes. After the power supply has been restored the solenoid valve opens up automatically again!

At the bottom of the kitchen unit there is an automatic gas isolator tap (Fig. 31,1). This blocks the gas supply when the pop-up roof is closed. If the switch (Fig. 32,1) is actuated by the pop-up roof, the automatic gas isolator tap will close the gas supply.

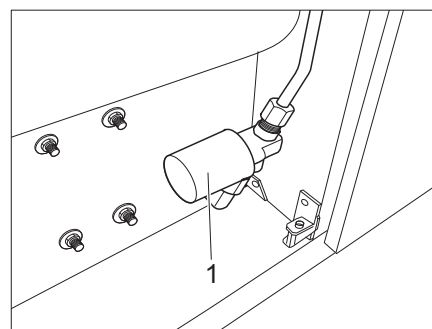


Fig. 31 Automatic gas isolator tap

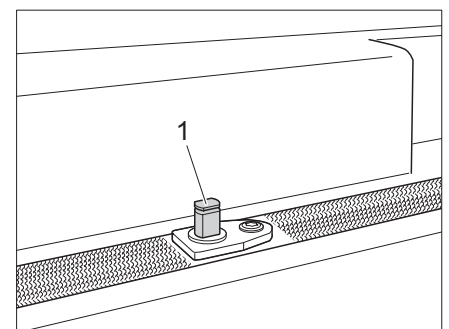


Fig. 32 Automatic gas isolator tap switch



- ▷ For further information, refer to the separate operating instructions from Truma.

8.7 Remote gas switch



- ▷ When the roof is closed, there is no power supply to the kitchen and the remote gas switch does not have any effect. In outdoor operation the kitchen functions when the roof is closed.

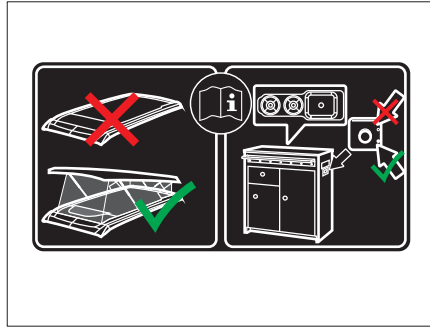
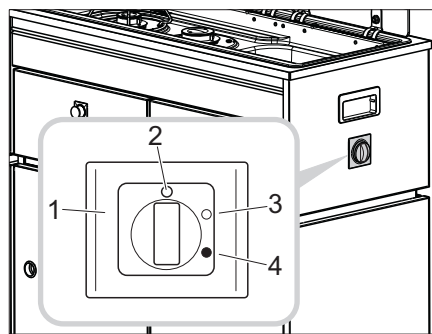


Fig. 33 Switch the gas isolator tap off only in outdoor operation.

The remote gas switch (Fig. 34, 1) is located at the side of the kitchen unit. The remote gas switch can be used to switch the automatic gas isolator tap off and on.



- 1 Remote gas switch
- 2 Operating indicator
- 3 Gas supply off
- 4 Gas supply on

Fig. 34 Remote gas switch

The remote gas switch (Fig. 34, 1) is protected by a fuse (see chapter 9.5.2).

9.1 General safety instructions



- ▶ Only allow qualified personnel to work on the electrical system.
- ▶ All electronic devices (e.g. mobile telephones, radios, televisions or DVD players) which have been retrofitted to the vehicle and are operated during the journey must have specific features: These are the CE certification, the EMC test (electromagnetic compatibility) and the "E1" inspection.
Only in this way can the functional reliability of the vehicle be ensured. Otherwise the airbag may be triggered or interference to the on-board electronics may result.

The vehicle is a safe place during a storm (Faraday cage). However, to protect the electrical devices, disconnect the 230 V connection and retract the antennae as a precaution.

9.2 12 V power supply

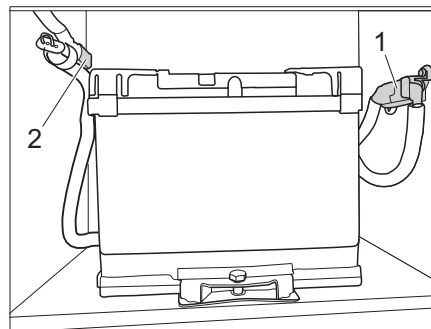


- ▷ To disconnect **all** electrical 12 V appliances from the power supply, disconnect the living area battery from the 12 V power supply. To do this, activate the main fuse.

When the vehicle is not connected to the 230 V power supply or the 230 V power supply is switched off, the living area battery supplies the living area with 12 VDC. The living area battery has a limited power supply only. For this reason, electrical appliances such as the radio and the lights should not be operated for a long time without using the 230 V power supply.

The 12 V supply can be interrupted on the operating panel using the 12 V main switch. The heater remains ready to operate.

When the vehicle engine is running, the vehicle alternator recharges the living area battery and the starter battery.



- 1 40 A fuse for protecting the living area battery
- 2 40 A fuse for protecting the starter battery

Fig. 35 12 V fuses on the living area battery

Compressor refrigerator

The refrigerator is only operated with 12 V.

9.2.1 Living area battery



- ▷ Prior to commencing a journey ensure the living area battery is fully charged. Therefore, charge the living area battery before travelling if necessary.
- ▷ During the trip, use every opportunity to charge the living area battery.
- ▷ After travelling and before temporarily storing the vehicle, check the status of the living area battery and charge if necessary.
- ▷ Longer total discharge damages the battery irreparably.
- ▷ Only use the built-in charger module of the E-Box to charge the living area battery.
- ▷ Irreparable damage to the living area battery will result if it is overcharged.

The charge status of the living area battery can be checked on the operating panel.

Location The living area battery is installed under the front passenger's seat in the seat console. The main fuse for the living area battery is also located there.

Changing Batteries have a limited service life and need to be replaced from time to time. When changing the battery, the E-Box charging management settings must be checked and adjusted if necessary.



- ▷ The living area battery may only be replaced by a specialist dealer.

9.3 Charger/booster

The E-Box with integrated charging function and fuse protection for the 12-volt appliances and 230-volt supply is located under the front flap of the driver's seat or in the cupboard area of the living area, depending on the model.



- ▷ The charger and booster are fixed components of the E-Box and are always switched on.
- ▷ The charging unit heats up during operation. To prevent overheating, the battery is charged at a reduced charging current before the regular charging programme starts if the battery is deeply discharged.

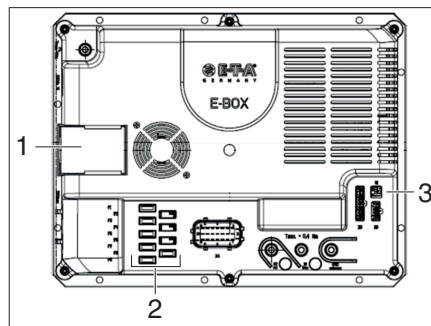


Fig. 36 230 V automatic circuit breaker and charging unit

- 1 230 V automatic circuit breaker
- 2 Fuses
- 3 DIP switch

9.3.1 Charging using a 230 V power supply

If the vehicle is connected to the 230 V power supply, the living area battery and the starter battery are automatically charged by the E-Box charger module. The starter battery is charged with a corresponding float charge. The charging current is adapted to the charge status of the living area battery.

The fuse for charging the starter battery is located to the left of the body battery. The fuse for the body battery is located to the right of this.



- ▷ To make use of the maximum output from the charger module, switch off all electrical appliances during charging.

9.3.2 Charging using the vehicle engine

When the vehicle engine is running, the vehicle alternator recharges the living area battery and the starter battery. When the vehicle engine is switched off, the batteries are automatically disconnected from each other by the E-Box charger module. This prevents the starter battery from being run down by electrical appliances in the living area. The starting capability of the vehicle is thus preserved. The charge state of the living area battery or the starter battery can be read on the operating panel.

9.3.3 Setting the charging management when changing the battery

The E-Box enables the use of lead-acid batteries, AGM batteries, lead-gel batteries or lithium batteries (LiFePO4). To prevent damage to the living area battery, the DIP switch (Fig. 37) must be set to the type of battery installed.

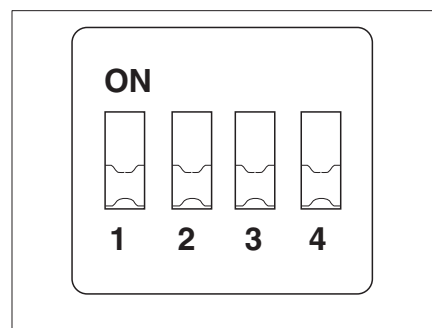


Fig. 37 DIP switch

Battery type	Switch 1	Switch 2
Lead-acid battery	Off	Off
AGM battery	On	Off
Lead gel battery	Off	On
Lithium battery (LiFePO4)	On	On



- ▷ The manufacturer recommends the use of a temperature sensor for safe and efficient charging of the living area battery. The temperature sensor is mandatory when using a lithium battery.

Temperature sensor	Switch 3	Switch 4
Sensor ON	Off	Off
Sensor OFF	On	On

9.4 230 V supply



- ▶ Only allow qualified personnel to work on the electrical system.

The 230 V power supply provides electricity for:

- Sockets with earth contact for appliances with maximum 10 A
- the E-Box

The electrical appliances connected to the 12 V power supply of the living area are supplied with voltage by the living area battery.

Connect the vehicle to an external 230 V power supply system as often as possible. The charger module in the E-Box automatically charges the living area battery. In addition to this, the starter battery is charged with a float charge of 2 A.

9.4.1 230 V connection




- ▶ The external 230 V supply is protected by a residual current circuit breaker (RCD switch, 30 mA).
- ▶ Completely unwind the cable on cable drums to prevent overheating.



- ▷ For the connection points on camp sites (camping distributors) highly sensitive residual-current circuit-breakers (RCD switch, 30 mA) are obligatory.

The vehicle can be connected to an external 230 V power supply. The cable may have a length of maximum 25 m.

Depending on the model, the flap for the 230 V connection is identified with the symbol .

Connecting the power cable:

- Open the external flap.
- Depending on the model, fold up the cover.
- Insert plug.



- ▷ Depending on the model, unlock the plug before pulling it out.

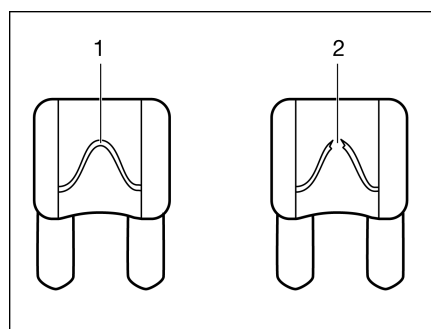
9.5 Fuses



- ▶ Only replace defective fuses when the cause of the defect is known and has been remedied.
- ▶ Only replace defective fuses when the power supply is switched off.
- ▶ Never bridge or repair fuses.

9.5.1 12 V fuses

The appliances connected to the 12 V supply in the living area are protected by their own mini car fuses (11 mm).



- 1 Unbroken fuse element
- 2 Broken fuse element

Fig. 38 12 V fuse

An intact 12 V fuse can be detected by the unbroken fuse element. If the fuse element is interrupted, the fuse must be replaced.

When replacing fuses, only use flat fuses that correspond in value and colour to the fuse to be replaced. For correct operation, values and colour, see table in chapter 9.5.2.

9.5.2 12 Volt fuses for appliances

The 12 V fuses are located in the E-box, which is installed under the front flap of the driver's seat or at the front of the seat bench, depending on the vehicle model. Solely standardised plug fuses of various fuse ratings are used.

These mini fuses are commonly used in the automotive sector. In order to replace a defective fuse it is pulled out of its holder and replaced by an identical fuse (amperage and colour). Spare fuses are commonly available, for example at fuel stations.

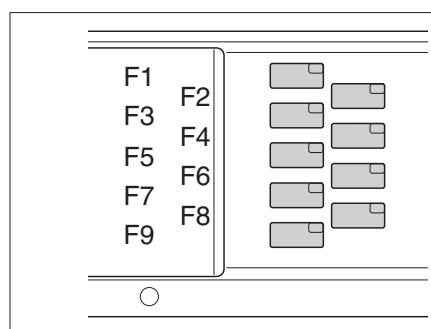


Fig. 39 12-volt fuses in the E-Box



- ▶ The ratings of the fuses to be used are listed in the following table. The specified values for the fuses refer to the original equipment of the vehicle. Changes may only be carried out by qualified personnel.

Fuse No.	Rating	Colour	Appliance
F1	7.5 A	Brown	Light pop-up roof
F2	5 A	light brown	Heating remote gas switch Piezo ignition
F3	10 A	Red	Water pump
F4	5 A	light brown	Heating operating panel
F5	10 A	Red	12 V socket under driver's seat USB socket
F6	15 A	Yellow	Heater
F7	–	–	free
F8	3 A	purple	D+
F9	10 A	Red	Refrigerator

12 V main fuse for the living area battery

The main fuse (Fig. 40, 1) is installed next to the living area battery.

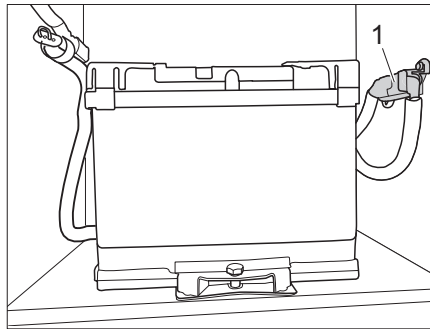


Fig. 40 Main fuse on the living area battery

12 V fuse for electrical system superstructure

The electrical system in the living area is protected against the motor. The fuse is located in the engine compartment on the left-hand side in the direction of travel in the vehicle manufacturer's fuse box.



- ▷ Work on the main fuses may only be carried out by appropriately qualified personnel. Improper handling can lead to serious damage to the vehicle electronics.

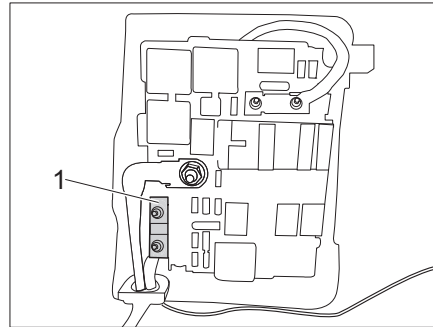


Fig. 41 Fuse for living area electrical system

9.5.3 230 volt combination automatic circuit breaker

The 230 volt power supply (external connection) is equipped with a combination automatic circuit breaker (Fig. 42, 1) on the E-Box. This includes a residual-current-operated protective device (RCD) and line protection. The combination automatic circuit breaker responds in the event of a short circuit, residual current and overload in the mains supply.

The residual-current-operated protective device is conducted via the supply line of the outdoor network. In accordance with the EU directive this should exist in every feeder grid. This residual-current-operated protective device should be checked at every new supply point for safety reasons.

If the automatic circuit breaker triggers during operation, the reason has to be determined and to be eliminated by disconnecting the appliance from the power supply system. If in doubt, contact a qualified electrician or the brand dealer's service centre.

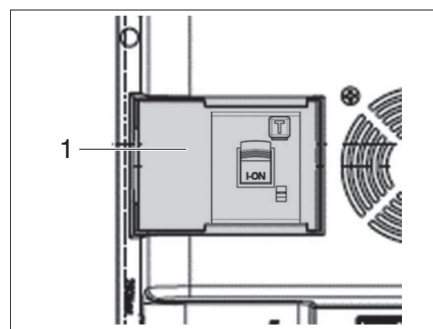


Fig. 42 230 volt combination automatic circuit breaker

9.6 Operating panel D110

The D110 operating panel is located above the bench seat in the living area. It serves to control the electric power supply and provides an overview of the device states.

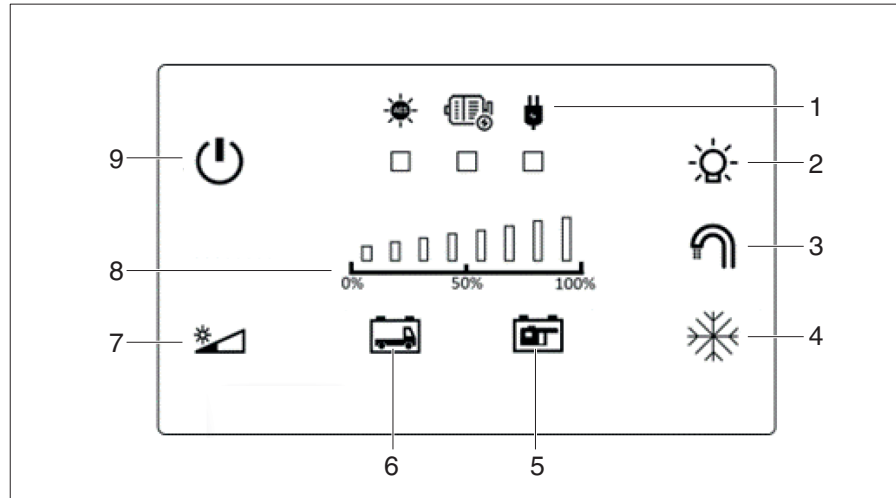





Fig. 43 Operating panel D110

- 1 Signal LEDs for charging the living area battery
 - a) by solar panel (AES, LED green)
 - b) 230-volt mains connection (yellow LED)
 - c) alternator (yellow LED)
- 2 Button for the power supply to load circuits A and B
(active = green (1x: A active, 2x: A and B active / inactive = white)
- 3 Button for the power supply to the water pump
(active = green, inactive = white)
- 4 Refrigerator power supply button
(active = green, inactive = white)
- 5 Monitoring button for the living area battery
(active = blue, inactive = white, warning = flashing red)
- 6 Monitor button for the starter battery
(active = blue, inactive = white, warning = flashing white)
- 7 Dimming button
 - a) for dimming the operating panel lighting, five adjustable brightness levels
 - b) to activate night mode (active = red)
- 8 LED monitoring display for the voltage of the starter and living area battery in %
- 9 Power button for switching the operating panel on and off with simultaneous activation/deactivation of load circuit C

9.6.1 Charging mode

The operating panel uses signal LEDs (Fig. 43, 1) to indicate which power source is being used to charge the living area battery.

Symbol	Power supply
	Solar panel
	230-volt mains connection
	Alternator

If the solar panel is integrated and there is sufficient power, the AES signal LED is green. If the battery is charged via the 230-volt mains or the alternator while the engine is running, the corresponding signalling LED lights up yellow.



- ▷ To protect against driving off with the 230 V mains connection plugged in, a warning tone sounds as soon as the vehicle engine has been started. The signal LED for the 230-volt mains connection and the signal LED for the alternator flash on the operating panel.

9.6.2 Brightness of the operating panel lighting

The power button (Fig. 43, 9) is used to switch the operating panel on and off. The lighting is set to medium brightness as standard and can be adjusted manually by simply pressing the dimming button (Fig. 43, 7). Regardless of the brightness level set, the lighting is dimmed when inactive and reactivated by pressing any button. The last brightness level used is retained. The dimming button (Fig. 43, 7) always lights up yellow, except in night mode.

9.6.3 Night mode

To ensure unrestricted operation, the operating panel must remain switched on. Night mode deactivates the operating panel lighting so as not to generate any disturbing light sources.



Press and hold the dimming button (Fig. 43, 7) to switch the operating panel to night mode. Only the dimmer button is illuminated dimly in red to avoid confusion with a switched-off operating panel.

Night mode is cancelled by pressing any button and the lighting is reactivated at the lowest brightness level.

9.6.4 Warning notices for the starter and living area battery

If the battery voltage is very low, the monitoring buttons (Fig. 43, 5) and (Fig. 43, 6) on the operating panel flash.

- Press the monitoring button (Fig. 43, 5).
The charge status of the associated battery is shown on the LED monitoring display (Fig. 43, 8).

Note	LED/button	Deactivation
Starter battery	Monitoring button (Fig. 43, 6) flashes white	 Charging the starter battery
Living area battery	Monitoring button (Fig. 43, 5) flashes red	 Charging the living area battery

The warnings are automatically reset when the battery status changes.

Starter battery

If the starter battery voltage is very low, the corresponding monitoring button (Fig. 43, 6) on the operating panel flashes white. If the vehicle is connected to solar or shore power, the E-Box ensures that the starter battery is kept charged. To fully charge the battery, the vehicle must be moved so that charging can take place via the alternator.



- ▷ To ensure safe and effective charging of the starter battery, the manufacturer's instructions and safety precautions must be observed.

Living area battery/ battery protection

If the battery voltage of the living area battery is low, the corresponding monitoring button (Fig. 43, 5) on the operating panel flashes red. If the living area battery is not charged, the battery voltage continues to drop. When a critical value for the battery is reached, battery protection kicks in.

Battery protection

To protect the battery from further discharge, all switchable appliances are removed from the power. The power supply to the heating and load circuit D is not disconnected. Before switching off, a repeating acoustic signal sounds. Once the living area battery has been charged, the appliances can be monitored again via the operating panel or the power supply can be activated.

10.1 General



- ▷ For safety reasons, spare parts for pieces of heating appliances must correspond with manufacturer's instructions and be permitted by the manufacturer as a spare part. These spare parts may only be fitted by the manufacturer or an authorised specialist workshop.



- ▷ Further information can be obtained in the instruction manual for the respective appliance.

The appliances heater, cooker and cooler are fitted depending on the model of the vehicle.

In this instruction manual a description is given only for the operation of the appliances and their particular features.

10.2 Gas cooker



- ▶ Never let gas escape unburned due to danger of explosion.
- ▶ Before using the cooker make sure that there is sufficient ventilation. Open windows or the pop-up roof.
- ▶ Do not use the gas cooker for heating purposes.
- ▶ Always protect your hands with cooking gloves or potholders when handling hot pots, pans and similar items. There is a risk of injury!
- ▶ During activation and operation of the gas cooker, no flammable or easily combustible objects such as dishcloths, napkins etc. may be near the gas cooker. Fire hazard!
- ▶ The process of ignition must be visible from above and must not be covered by cooking pans placed on the cooker.
- ▶ Depending on the model, the gas cooker lid is held closed by a spring. When closing there is danger of getting injured!
- ▶ The flames of the gas cooker must always be covered by cooking pots or pans. Never use the gas cooker without cooking pots or pans.

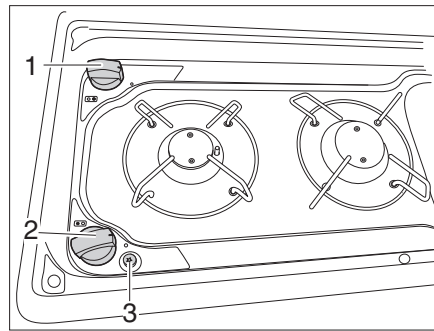


- ▷ Do not use the glass gas cooker lid as a hob.
- ▷ Do not close the gas cooker lid while the gas cooker is in operation.
- ▷ Do not apply pressure on the gas cooker lid when it is closed.
- ▷ Do not place hot cooking pans on the gas cooker lid.
- ▷ Keep the gas cooker lid open after cooking as long as the burner emits heat. The glass plate could otherwise burst.
- ▷ To prevent surrounding kitchen components from being damaged by heat build-up during cooking, a distance of 22 mm must be maintained between the pot/pan and the kitchen components when cooking



- ▷ Use only pots and pans whose diameter is suitable for the burner grates of the gas cooker.
- ▷ When the flame fades, the thermocouple automatically cuts the gas supply.
- ▷ Further information can be obtained from the separate instruction manual "Gas cooker".

The vehicle kitchen unit is fitted with a two-burner gas cooker.



- 1 Control knob for right-hand burner
- 2 Control knob for left-hand burner
- 3 Ignition button

Fig. 44 Operating controls for gas cooker

- Switching on:*
- Open the regulator tap (Fig. 29,4) on the gas bottle and the gas isolator tap (Fig. 30,1).
 - Open the gas cooker lid.
 - Turn the control knob (Fig. 44,1 or 2) of the desired burner to the ignition position (large flame).
 - Press down the control knob and hold it down.
 - Press the ignition button (Fig. 44,3).
 - When the flame burns, hold the control knob down for 10 to 15 seconds, until the thermocouple keeps the gas supply automatically open.
 - Release the control knob and turn to the desired setting.
 - If ignition was not successful, repeat the entire procedure.
- Switching off:*
- Turn the control knob (Fig. 44,1 or 2) to the 0-position. The flame fades.
 - Close the gas isolator tap (Fig. 30,1) and the regulator tap (Fig. 29,4) on the gas bottle.

10.3 Diesel independent vehicle heater (special equipment)

The Campster is optionally equipped with a diesel independent vehicle heater.



- ▷ New heaters might give off a slight odour when they are used for the first time.
- ▷ In the case of continuous operation at low output levels, we recommend that the heating appliance be operated about once a month for 15 minutes with full load in order to eliminate possible deposits in the burner.
- ▷ Heating of the interior during the journey is possible and allowed.
- ▷ Further information can be obtained in the manufacturer's instruction manual.

11.1 Water supply, general



- ▶ Fill the water canister with fresh water only.
- ▶ Water left standing in the water canister or in the water pipes becomes undrinkable after a short period. For this reason, rinse the water pipes and the water canister thoroughly with several litres of fresh water before each use of the vehicle. To do this, open the water tap. After each use of the vehicle completely empty the water canister and the water pipes.



- ▷ If the vehicle is not used for several days or if it is not heated when there is a risk of frost, empty the entire water system. Leave the water tap on in central position. Frost damage to appliances, frost damage to the vehicle and deposits in water-carrying components can be avoided in this way.
- ▷ The water pump will overheat without water and can get damaged. Never operate water pump when the water canister is empty.
- ▷ Use the water pump only in the water canister with fresh water.

The vehicle is equipped with an installed water canister. An electric water pump pumps the water to the water tap (Fig. 47,1). Opening the water tap automatically switches on the water pump and pumps water to the tap.

The waste water canister collects the waste water.



- ▷ Before using the water tap, the 12 V power supply on the panel must be switched on. Otherwise the water pump will not work.
- ▷ The water supply system conforms to the latest state of technology 03/2009 (Directive 2002/72/EC).

11.2 Water canister

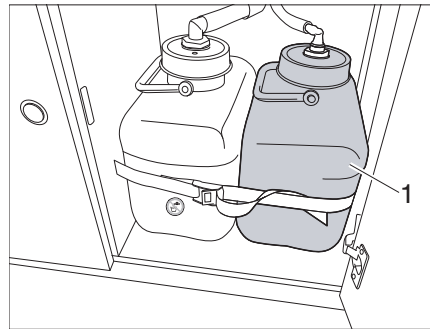


Fig. 45 Water canister

Volume The water canister (Fig. 45/1) encompasses approx. 10 l.

11.3 Waste water canister



- ▷ In case of frost add so much anti-freeze (e.g. kitchen salt) to the waste water canister so that the waste water cannot freeze.
- ▷ Never pour boiling water directly into the sink outlet. Boiling water could cause deformation and leaks in the waste water pipe system.



- ▷ Only empty the waste water canister at disposal stations, at camping sites or caravan sites, that are especially provided for this purpose.

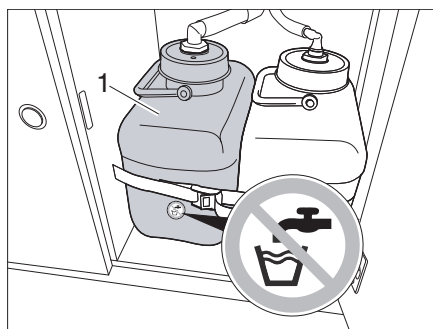


Fig. 46 Waste water canister

The waste water canister (Fig. 461) is located in the kitchen unit.

Volume The waste water canister encompasses approx. 10 l.

Cleaning Clean the waste water canister several times per year (see Chapter 12).

11.4 Water system



- ▷ The water pump will overheat without water and can get damaged. Never operate water pump when the water canister is empty.
- ▷ If the vehicle is not used for several days or if it is not heated when there is a risk of frost, empty the entire water system. Leave the water tap opened. Frost damage to the appliances and deposits in water-carrying components can be avoided in this way.
- ▷ After the water system has been drained, close the water tap again.

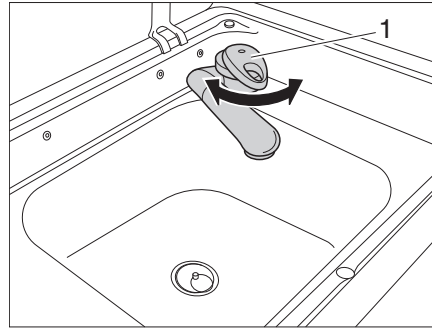


Fig. 47 Sink with water tap

The kitchen unit contains a sink with water tap.

Opening/closing the water tap

- Turn the water tap (Fig. 47/1).
Water is pumped from the water canister (Fig. 45/1) upwards. The waste water canister (Fig. 46/1) collects the waste water.
- Turn the water tap (Fig. 47/1) back.
The pump in the water canister stops.

12.1 External care

12.1.1 Washing with a high-pressure cleaner



- ▷ Do not clean the tyres with a high-pressure cleaner. The tyres might be damaged.
- ▷ Do not spray external applications (deco-films) directly with the high-pressure cleaner. The external applications could come off.

Before cleaning the vehicle with a high-pressure cleaner, observe the operating instructions of the high-pressure cleaner.

When cleaning with the nozzle for circular jet between the vehicle and the cleaning nozzle, maintain a minimum distance of approx. 700 mm.

Take into consideration that the jet of water comes out of the cleaning nozzle with pressure. The vehicle may be damaged by incorrect handling of the high-pressure cleaner. The temperature of the water should not be above 60 °C. Keep the jet of water in constant movement during the washing process. Do not direct the water jet at clearances, built-in electrical parts, plugs, seals, ventilation grills or skylights. The vehicle may be damaged or water may enter the interior.

12.1.2 Washing the vehicle



- ▷ Never have the vehicle cleaned in a car wash. Water can penetrate in the forced ventilations. The vehicle could be damaged.

- Wash the vehicle only on a washing site intended for this purpose. Avoid full sunshine. Observe environmental measures.
- Clean external applications and synthetic parts only with plenty of warm water, suitable cleaning agents and soft cloth.
- Wash down the vehicle with plenty of water, a clean sponge or a soft brush. In the case of stubborn dirt add dish washing liquid to the water.
- Treat rubber seals of doors and storage flaps with talc.
- Treat locking cylinder of doors and storage flaps with graphite dust.

12.2 Interior care



- ▷ If possible, treat stains immediately.
- ▷ Synthetic parts in the living area are very delicate and should be treated with care. Do not use solvents, alcohol-containing cleaning agents or scourers containing sand. This procedure will help you to avoid brittleness and formation of cracks.
- ▷ Do not pour any corrosive agents into the drain holes. Never pour boiling water directly into the drain holes. Corrosive agents and boiling water cause damage to drainage pipes and siphon traps.
- ▷ Do not use vinegar based products to clean the water system, or for decalcification of the water system. Vinegar-based products may cause damage to seals or parts of the installation. Use standard decalcifying products for decalcification.
- ▷ Save water. Mop up all remaining water.



▷ The service centres of our dealers will be glad to provide information about the use of maintenance products.

- Surface and knobs of furniture, lamps and synthetic parts in the living area should be cleaned with water and a wool cloth. A mild cleanser may be added to the water. If necessary, treat finished surfaces with furniture polish.
- Clean upholstery with dry foam specially manufactured for the use on upholstery or with the foam of a mild detergent. Do not wash upholstery. Protect upholstery from direct sunlight so that it does not lose its colour.
- Never clean the sink or the gas cooker with a scourer. Avoid anything which may cause scratching or grooves.
- Clean gas cooker only with a moist cloth. Prevent any water from penetrating the gas cooker. Water may damage the gas cooker.
- Unrolled seat belts can be cleaned with warm soapsuds. The seat belts must be completely dry before being rolled up.
- Clean water canister with water and dish washing liquid and rinse subsequently with plenty of fresh water.

12.3 Instructions for care of the pop-up roof



▷ The instructions for care must be carried out several times, but at least once per year, depending on how often the pop-up roof is used.

- Apply a standard impregnation substance to the cloth bellows before the season begins
- Never close the cloth bellows in a moist or wet state. If you do so nevertheless, it must be dried completely as soon as possible.
- Apply talc or a comparable product to the rubber seals at the roof shell before winter sets in so that the seals do not freeze to the vehicle body during cold weather.
- The roof must be cared for in accordance with the paint care instructions of the vehicle manufacturer. Standard paint care products can be used.
- Observe the care instructions of the company SCA.

12.4 Winter care



- ▷ If there is any risk of frost, always run heater at a minimum of 15 °C. Set the circulation fan (if existing) to automatic mode. In the case of extreme external temperatures, the furniture flaps and doors should be left slightly open. The inflowing warm air can help prevent the freezing of water pipes, for example, and counteract the formation of condensation in the storage spaces.

12.4.1 Winter operation

During winter operation, condensation develops when the vehicle is occupied under low-temperature conditions. To ensure good interior air quality and avoid vehicle damage from condensation, sufficient ventilation is essential.

- When heating the vehicle, the heater should be at the highest setting and roof storage cabinets, curtains and blinds should be opened. This ensures optimal ventilation.
- In the morning, lift up all cushions, air out storage boxes and dry any damp areas.



- ▷ If condensation has still developed, just wipe it off.



12.5 Lay-up

12.5.1 Temporary lay-up



- ▶ If the vehicle has been stationary for a long period (approx. 10 months) have the braking and gas systems checked by an authorised specialist workshop.
- ▶ Take into consideration that water is undrinkable after only a short time.

Go through the following checklist before lay-up:

	Activities	Done
Base vehicle	Completely fill fuel tank. This can prevent corrosion to the tank system	
	Jack up the vehicle so that the wheels do not bear any load, or move the vehicle every 4 weeks. This prevents any pressure points from occurring on tyres and wheel bearings	
	Protect the tyres from direct exposure to the sun. Danger of formation of cracks!	
	Inflate tyres up to the recommended maximum pressure	
	Always provide for sufficient ventilation in the underbody area	
	 ▶ Humidity or lack of oxygen e.g. by covering with plastic film may cause optical irregularities to the underbody.	
	Also observe the specifications in the operating instructions of the base vehicle	
Interior	Place upholstery in an upright position for ventilation, and cover	
	Clean cooler	
	Leave the cooler flap slightly open	
Gas system	Close regulator tap on the gas bottle	
	Close the gas isolator tap	
	Always remove the gas bottle from the gas bottle compartment, even if it is empty	
Electrical system	Fully charge living area and starter battery	
	 ▶ Charge the battery for at least 20 hours before a temporary lay-up.	
	Disconnect the living area battery from the 12 V power supply	
Water system	Empty the entire water system. Blow out the residual water from the water pipes (0.5 bar max.). Leave the water tap in central position open. Observe the notes in Chapter 11	


12.5.2 Winter lay-up

Additional measures are required if laying up the vehicle over winter:

	Activities	Done
Base vehicle	Clean body and underbody thoroughly and spray with hot wax or protect with varnish	
	Fill fuel tank with winter diesel	
	Check the frost protection in the cooling water	
	Repaint paint damage	
Body	Keep the forced ventilation open	
	Clean and grease all door and flap hinges	
	Brush oil or glycerine on all locking mechanisms	
	Rub all rubber seals with talc	
	Use graphite dust to treat locking cylinders	
Interior	Position de-humidifiers	
	Remove upholstery from the vehicle and store in a dry place	
	Air the interior every 3 weeks	
	Empty all cabinets and storage compartments, open flaps, doors and drawers	
	Thoroughly clean the interior	
Electrical system	Remove the starter battery and living area battery and store in a place protected from frost (see Chapter 9)	
Water system	Clean the water system using a cleaning agent from a specialised store	
Complete vehicle	Arrange the tarpaulins in such a way that the ventilation openings are not covered, or use porous tarpaulins	

12.5.3 Starting up the vehicle after a temporary lay-up or after lay-up over winter

Go through the following checklist before start-up:

	Activities	Done
Base vehicle	Check the tyre pressure on all tyres	
	Check the tyre pressure of the spare wheel	
Body	Check that the doors, windows and pop-up roof are working properly	
	Check the function of all external locks	
Gas system	Place the gas bottle in the gas bottle compartment, tie down and connect to the gas pressure regulator	
Electrical system	Connect to 230 V external power supply	
	Fully charge living area and starter battery	
	 ▷ Charge at least for 20 hours after laying up.	
	Connect the living area battery with the 12 V power supply (see Chapter 9)	
	Check that the electrical system are working, e.g. interior light, socket and all installed electrical appliances	
Water system	Use several litres of fresh water to rinse out water pipes and water canister. To do this, open the water tap	
	Close the water tap	
	Check that the water tap does not leak	
Appliances	Check the function of the cooler	
	Check the function of the heater	
	Check the function of the gas cooker	

13.1 Official inspections

An official general inspection (HU) of roadworthiness has to be carried out by a recognised body (such as "TÜV", "DEKRA") at regular intervals in accordance with Section 29 of the German Traffic Licencing Regulations ("Straßenverkehrszulassungsordnung" (StVZO)) on vehicles that are registered in Germany.

The respective local regulations apply in other counties.

An authorised specialist workshop has to inspect the gas system every 2 years. This also applies for not registered vehicles. Modifications to the gas system must be checked immediately by an authorised specialist workshop. The authorised specialists workshop certifies the inspection and the proper state in a gas inspection certificate. The gas inspection sticker is applied on the rear of the vehicle near the licence plate.

13.2 Inspection work

Like any technical appliance, the vehicle must be inspected at regular intervals.

This inspection work must be carried out by qualified personnel.

The service centre in charge will confirm the work performed.

Have chassis inspections confirmed in the chassis manufacturer's customer service booklet.



- ▷ Observe the inspections specified by the manufacturer and have them carried out at the specified intervals. The value of the vehicle is thus preserved.
- ▷ The confirmation of the inspection work carried out also serves as valid proof in the case of damage and claims under the guarantee.

13.3 Maintenance work

13.3.1 General

As with every machine, this vehicle requires maintenance. The extent and frequency of the maintenance work required depend on conditions of operation and use. More difficult operating conditions make it necessary to service the vehicle more often.

Have the basic vehicle and the appliances serviced at the intervals specified in the corresponding instruction manuals.

13.3.2 Maintenance work at the pop-up roof



- ▷ The maintenance instructions care must be carried out several times, but at least once per year, depending on how often the pop-up roof is used.
 - If necessary, readjust the locking mechanism of the pop-up roof after it has been used several times.
 - Ventilate the cloth bellows several times a year so that a mouldy smell cannot arise.
 - For the version with a belt lock check the belts and the clips for function and damage.
 - Observe the care instructions of the company SCA.
 - Check and if necessary adjust the roof shell and its mechanical parts.

13.4 Spare parts



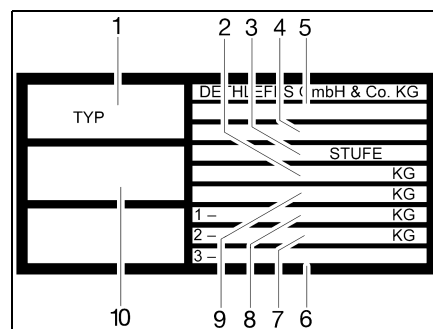
- ▶ Every alteration of the original condition of the vehicle can alter road behaviour and jeopardize road safety.
- ▶ The special equipment and original spare parts recommended by PÖSSL have been specially developed and supplied for your vehicle. Your PÖSSL dealer has these products. Your PÖSSL dealer is informed about admissible technical details and carries out the required work correctly.
- ▶ The use of accessories, parts and fittings not approved by PÖSSL may cause damage to the vehicle and jeopardise road safety. Even if an expert's report, a general type approval or a design certification exists, there is no guarantee for the proper quality of the product.
- ▶ No liability can be assumed for damage caused by products which have not been approved by PÖSSL. This also applies to impermissible alterations to the vehicle.

For safety reasons, spare parts for pieces of equipment must correspond with manufacturer's instructions and be permitted by the manufacturer as a spare part. These spare parts may only be fitted by the manufacturer or an authorised specialist workshop. The PÖSSL dealers are available for any spare parts requirement.

When ordering spare parts, please indicate the serial number and the vehicle type to your PÖSSL dealer.

The vehicle described in this instruction manual is built and equipped to factory standards. Special equipment is offered depending on its purpose or use. When fitting special equipment check if such equipment has to be entered in the vehicle documents. Observe the max. permissible gross weight. Your PÖSSL dealer will be pleased to advise you.

13.5 Vehicle identification plate



- 1 Type
- 2 Maximum permissible gross weight of the vehicle with trailer
- 3 Chassis number
- 4 Manufacturer of the unit (add-on unit)
- 5 EC type approval number
- 6 Permissible rear axle load (for tandem axle)
- 7 Permissible axle load rear
- 8 Permissible axle load front
- 9 Maximum permissible gross weight of the vehicle
- 10 Serial number

Fig. 48 Vehicle identification plate

The vehicle identification plate (Fig. 48) with the serial number is mounted in the area of the passenger's door.

Do not remove the vehicle identification plate. The vehicle identification plate:

- Identifies the vehicle
- Helps with the procurement of spare parts
- Together with the vehicle documents identifies the vehicle owner

13.6 Warning and information stickers

There are warning and information stickers on and inside the vehicle. Warning and information stickers are for the sake of safety and must not be removed.



- ▷ Replacement stickers can be obtained from an authorised dealer or the service centre.

14.1 Electrical system




▷ When the living area battery is changed, only use batteries of the same type.



▷ See Chapter 9 for changing the fuses.

Fault	Cause	Remedy
Interior lighting does not work	LED light strip defective	Replace LED light strip
	Fuse on the E-Box defective	Change the fuse on the E-Box
No 230 V power supply despite connection	230 V automatic circuit breaker has triggered	Switch on 230 V automatic circuit breaker
Starter or living area battery is not charged when operated in 230 V mode	Jumbo flat fuse (40 A) on the starter or living area battery is defective	Replace jumbo flat fuse (40 A) on the starter or living area battery
	Charger module on the E-Box defective	Contact customer service
	Fuse (20 A) for integrated charger module at the E-Box not inserted/is defective	Insert/replace fuse (20 A) in E-box
Living area battery is not charged during vehicle operation	Cutoff relay on the E-Box defective	Contact customer service
	Charge booster defective	Contact customer service
12 V indicator lamp does not light up	12 V power supply switched off	Switch 12 V power supply on
	Battery isolator switch on the E-Box switched off	Set battery cut-off switch to on
	Starter or living area battery is not charged	Charge the starter or living area battery
	Cutoff relay on the E-Box defective	Contact customer service
	Flat fuse (2 A) in the living area battery is defective	Replace flat fuse (2 A) in the living area battery
12 V power supply does not work in 230 V operation	12 V power supply switched off	Switch 12 V power supply on
	Battery isolator switch on the E-Box switched off	Set battery cut-off switch to on
	Charger module on the E-Box defective	Contact customer service
	230 V automatic circuit breaker has triggered	Contact customer service
	Jumbo flat fuse (40 A) on the living area battery is defective	Replace jumbo flat fuse (40 A) on the living area battery

Fault	Cause	Remedy
Starter battery is discharged in 12 V operation	Cutoff relay on the E-Box defective	Contact customer service
No voltage is supplied by the living area battery	Living area battery is discharged	Charge living area battery immediately  ▷ Total discharge damages the battery. If the vehicle is to be laid up for a long period, fully charge the living area battery beforehand
	Jumbo flat fuse (40 A) on the living area battery is defective	Replace jumbo flat fuse (40 A) on the living area battery

14.2 Gas system



- ▶ In case of a defect of the gas system (gas odour, high gas consumption) there is danger of explosion! Close the regulator tap on the gas bottle immediately. Open doors and windows and ventilate well.
- ▶ In case of a defect in the gas system: Do not smoke; do not ignite any open flames, and do not operate electric switches (light switches etc.).
- ▶ Have the defect in the gas system repaired by an authorised specialist workshop.

Fault	Cause	Remedy
No gas	Gas bottle empty	Changing gas bottles
	Regulator tap on the gas bottle is closed	Open regulator tap on the gas bottle
	Outdoor temperature too low (0 °C for butane gas)	Wait for higher external temperatures
	Built-in appliance is defective	Contact customer service

14.3 Cooker

Fault	Cause	Remedy
Ignition fuse does not operate (flame does not burn after the control knobs are released)	Heat-up time is too short	Keep control knob pressed for approx. 15 to 20 seconds after ignition
	Ignition fuse is defective	Contact customer service
Flame extinguishes when being reduced to its minimum setting	Thermocouple sensor is incorrectly set	Set thermocouple sensor correctly (do not bend). The sensor tip should protrude by 5 mm beyond the burner. The sensor neck should not be more than 3 mm away from the burner ring; if necessary, contact customer service